

**PRO**  
PRO SERIES

**ASRock®**

***B850 PRO-A***  
***B850 PRO-A WiFi***  
**MOTHERBOARD**

User Manual

## Contact Information

If you need to contact ASRock or want to know more about ASRock, you're welcome to visit ASRock's website at <http://www.asrock.com>; or you may contact your dealer for further information. For technical questions, please submit a support request form at <https://event.asrock.com/tsd.asp>

### **ASRock Incorporation**

e-mail: [info@asrock.com.tw](mailto:info@asrock.com.tw)

### **ASRock EUROPE B.V.**

e-mail: [sales@asrock.nl](mailto:sales@asrock.nl)

### **ASRock America, Inc.**

e-mail: [sales@asrockamerica.com](mailto:sales@asrockamerica.com)



Scan the QR code to view more manuals and documents.

B850 Pro-A WiFi



Scan the QR code to view more manuals and documents.

B850 Pro-A

# Contents

<b>Chapter 1 Introduction</b>	<b>1</b>
1.1 Package Contents	1
1.2 Specifications	2
1.3 Motherboard Layout	7
1.4 I/O Panel	9
1.5 Block Diagram	11
1.6 802.11ax Wi-Fi 6E Module and ASRock WiFi 2.4/5/6 GHz Antennas (B850 Pro-A WiFi)	12
<b>Chapter 2 Installation</b>	<b>14</b>
2.1 Installing the CPU	15
2.2 Installing the CPU Fan and Heatsink	18
2.3 Installing Memory Modules (DIMM)	27
2.4 Connecting the Front Panel Header	29
2.5 Installing the I/O Panel Shield	30
2.6 Installing the Motherboard	31
2.7 Installing SATA Drives	32
2.8 Installing a Graphics Card	34
2.9 Connecting Peripheral Devices	36
2.10 Connecting the Power Connectors	37
2.11 Power On	38
2.12 Jumpers Setup	39
2.13 Onboard Headers and Connectors	40

---

2.14	Smart Switches	52
2.15	Post Status Checker	54
2.16	M.2 WiFi/BT PCIe WiFi Module Installation Guide (B850 Pro-A)	55
2.17	M.2 SSD Installation Guide (M2_1)	57
2.18	M.2 SSD Installation Guide (M2_2)	60
2.19	M.2 SSD Installation Guide (M2_3)	62
2.20	M.2 SSD Installation Guide (M2_4)	65

# Chapter 1 Introduction

Thank you for purchasing ASRock B850 Pro-A WiFi / B850 Pro-A motherboard, a reliable motherboard produced under ASRock's consistently stringent quality control. It delivers excellent performance with robust design conforming to ASRock's commitment to quality and endurance.



*Because the motherboard specifications and the BIOS software might be updated, the content of this documentation will be subject to change without notice. In case any modifications of this documentation occur, the updated version will be available on ASRock's website without further notice. If you require technical support related to this motherboard, please visit our website for specific information about the model you are using. You may find the latest VGA cards and CPU support list on ASRock's website as well. ASRock website <http://www.asrock.com>.*

## 1.1 Package Contents

- ASRock B850 Pro-A WiFi / B850 Pro-A Motherboard (ATX Form Factor)
- 2 x Serial ATA (SATA) Data Cables (Optional)
- 1 x I/O Shield (Optional)
- 2 x ASRock WiFi 2.4/5/6 GHz Antennas (Optional) (B850 Pro-A WiFi)
- 1 x Screw for M.2 Socket (Optional) (B850 Pro-A)

---

## 1.2 Specifications

- Platform**
- ATX Form Factor
  - 8 Layer PCB

- CPU**
- Supports AMD Socket AM5 Ryzen™ 9000, 8000 and 7000 Series Processors\*

\* The availability of expansion slots may vary by CPU. Please refer to PCIe/M.2 Bandwidth Table for details. (<http://www.asrock.com/>)

- Chipset**
- AMD B850

- Memory**
- Dual Channel DDR5 Memory Technology
  - 4 x DDR5 DIMM Slots
  - Supports DDR5 ECC/non-ECC, un-buffered memory up to 8000+(OC)\*
  - Max. capacity of system memory: 256GB
  - Supports Extreme Memory Profile (XMP) and EXTended Profiles for Overclocking (EXPO) memory modules

\* Please refer to Memory Support List on ASRock's website for more information. (<http://www.asrock.com/>)

**Expansion Slot**

CPU:

- 1 x PCIe 5.0 x16 Slot (PCIE1), supports x16 mode\*

Chipset:

- 1 x PCIe 4.0 x16 Slot (PCIE2), supports x4 mode\*
- 1 x M.2 Socket (Key E), supports type 2230 WiFi/BT PCIe WiFi module

\* PCIE1 will run at Gen5x16 with 9000 and 7000 series processors, Gen4x8 with 8000 (Phoenix 1) series processors and Gen4x4 with 8000 (Phoenix 2) series processors.

\* If M2\_3 is occupied, PCIE2 will be disabled.

\* Supports NVMe SSD as boot disks

- 15µ Gold Contact in VGA PCIe Slot (PCIE1)

### Graphics

- Integrated AMD RDNA™ graphics (Actual support may vary by CPU)
- 1 x HDMI 2.1 TMDS/FRL 8G Compatible, supports HDR, HDCP 2.3 and max. resolution up to 4K 120Hz
- 1 x USB 3.2 Gen1 Type-C, supports DP 1.4 HBR3 and max. resolution up to 4K 60Hz (DP-alt mode supports DP1.4a)

### Audio

- 7.1 CH HD Audio (Realtek ALC897 Audio Codec)

### LAN

- 2.5 Gigabit LAN 10/100/1000/2500 Mb/s
- Dragon RTL8125BG
- Supports Dragon 2.5G LAN Software
  - Smart Auto Adjust Bandwidth Control
  - Visual User Friendly UI
  - Visual Network Usage Statistics
  - Optimized Default Setting for Game, Browser, and Streaming Modes
  - User Customized Priority Control

### Wireless LAN (B850 Pro-A WiFi)

- 802.11ax Wi-Fi 6E Module
- Supports IEEE 802.11a/b/g/n/ac/ax/ax
- Supports Dual-Band 2x2 with extended 6GHz band\* support

\* Wi-Fi 6E (6GHz band) will be supported by Microsoft® Windows® 11. The availability will depend on the different regulation status of each country and region. It will be activated (for supported countries) through Windows Update and software updates once available.

\* A 6GHz compatible router is required for 6E functionality.

- 2 antennas to support 2 (Transmit) x 2 (Receive) diversity technology
- Supports Bluetooth 5.2
- Supports MU-MIMO

## USB

### CPU:

- 1 x USB 3.2 Gen2 Type-C (Rear)
- 1 x USB 3.2 Gen1 Type-C (Rear)
- 2 x USB 3.2 Gen1 Type-A (Rear (USB32\_1 and USB32\_2))

### Chipset:

- 1 x USB 3.2 Gen2x2 Type-C (Front)
- 4 x USB 3.2 Gen1 Type-A (2 Rear (USB32\_3 and USB32\_4), 2 Front)
- 9 x USB 2.0 (6 Rear, 3 Front)

\* All USB ports support ESD Protection

## Rear Panel I/O

- 2 x Antenna Ports (B850 Pro-A WiFi)
- 2 x Antenna Mounting Points (B850 Pro-A)
- 1 x HDMI Port
- 1 x USB 3.2 Gen2 Type-C Port (10 Gb/s)
- 1 x USB 3.2 Gen1 Type-C Port (DP-alt mode supports DP1.4a)
- 4 x USB 3.2 Gen1 Type-A Ports
- 6 x USB 2.0 Ports
- 1 x RJ-45 LAN Port
- 1 x BIOS Flashback Button
- HD Audio Jacks: Line in / Front Speaker / Microphone

## Storage

### CPU:

- 1 x Blazing M.2 Socket (M2\_1, Key M), supports type 2280 PCIe Gen5x4 (128 Gb/s) mode\*
- 1 x Hyper M.2 Socket (M2\_2, Key M), supports type 2280 PCIe Gen4x4 (64 Gb/s) mode\*

### Chipset:

- 1 x Hyper M.2 Socket (M2\_3, Key M), supports type 2230/2242/2260/2280 PCIe Gen4x4 (64 Gb/s) mode\*
- 1 x Ultra M.2 Socket (M2\_4, Key M), supports type 2280 PCIe Gen3x4 (32 Gb/s) mode\*
- 2 x SATA3 6.0 Gb/s Connectors

### ASMedia ASM1061:

- 2 x SATA3 6.0 Gb/s Connectors

\* Supports NVMe SSD as boot disks

\* M2\_1 is the first priority for M.2 installation.



\* M2\_1 will run at Gen5x4 with 9000 and 7000 series processors and Gen4x4 with 8000 (Phoenix 1 and Phoenix 2) series processors.

\* M2\_2 will run at Gen4x4 with 9000 and 7000 series processors, Gen4x4 with 8000 (Phoenix 1) series processors and Gen4x2 with 8000 (Phoenix 2) series processors.

\* If M2\_3 is occupied, PCIE2 will be disabled.

\* If SATA3\_1 or SATA3\_2 is occupied, M2\_4 will downgrade to Gen3x2 mode.

## **RAID**

- Supports RAID 0 and RAID 1 for SATA storage devices
- Supports RAID 0, RAID 1 and RAID 10 for M.2 NVMe storage devices

## **Connector**

- 1 x SPI TPM Header
- 1 x Power LED and Speaker Header
- 1 x RGB LED Header\*
- 3 x Addressable LED Headers\*\*
- 2 x CPU Fan Connectors (4-pin) (Smart Fan Speed Control)\*\*\*
- 4 x Chassis Fan Connectors (4-pin) (Smart Fan Speed Control)\*\*\*
- 1 x AIO Pump Fan Connector (4-pin) (Smart Fan Speed Control)\*\*\*
- 1 x 24 pin ATX Power Connector
- 2 x 8 pin 12V Power Connectors (Hi-Density Power Connector)
- 1 x Front Panel Audio Connector
- 2 x USB 2.0 Headers (Support 3 USB 2.0 ports)
- 1 x USB 3.2 Gen1 Header (Supports 2 USB 3.2 Gen1 ports)
- 1 x Front Panel Type C USB 3.2 Gen2x2 Header (20 Gb/s)

\* Supports in total up to 12V/3A, 36W LED Strip

\*\* Support in total up to 5V/3A, 15W LED Strip

\*\*\* CPU\_FAN1 supports the fan power up to 1A (12W).

\*\*\* CPU\_FAN2, CHA\_FAN1~4 and AIO\_PUMP support the fan power up to 3A (36W).

\*\*\* CPU\_FAN2, CHA\_FAN1~4 and AIO\_PUMP can auto detect if 3-pin or 4-pin fan is in use.

**BIOS  
Feature**

- AMI UEFI Legal BIOS with GUI support

**OS**

- Microsoft® Windows® 10 64-bit / 11 64-bit

**Certifica-  
tions**

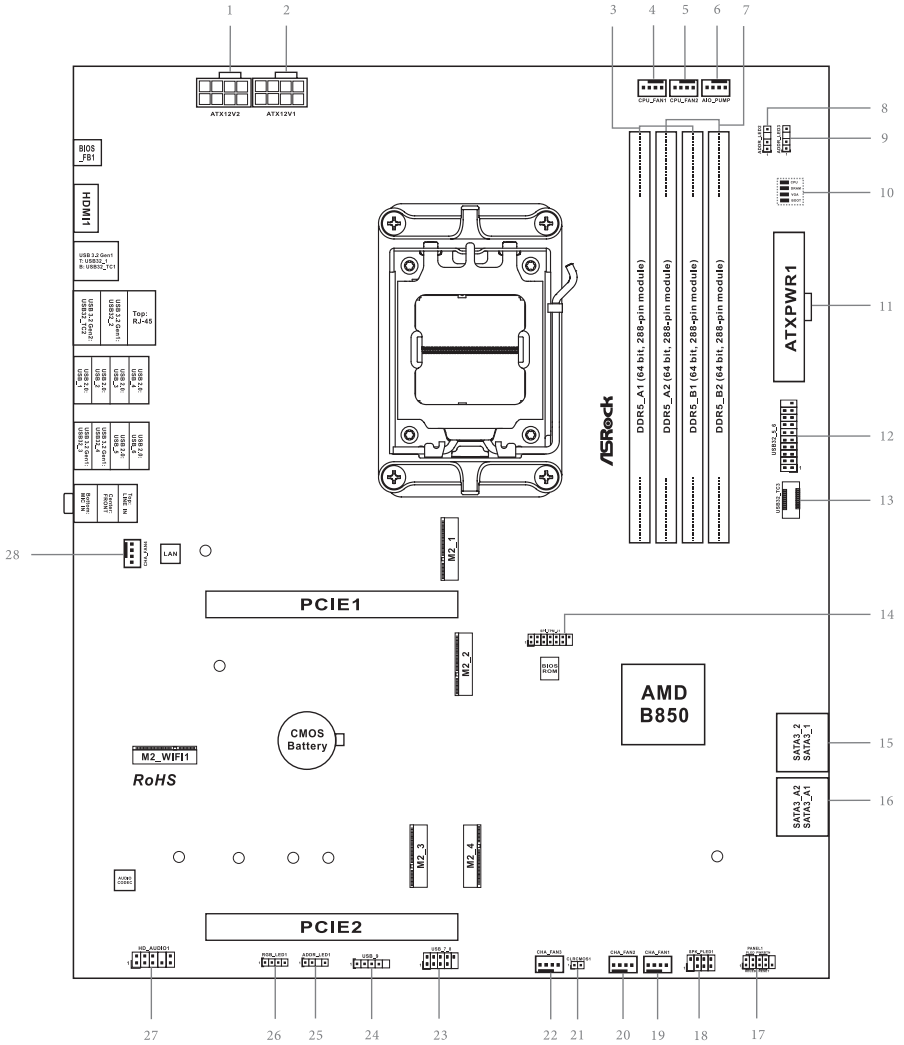
- FCC, CE
- ErP/EuP ready (ErP/EuP ready power supply is required)

\* For detailed product information, please visit our website: <http://www.asrock.com>



*Please realize that there is a certain risk involved with overclocking, including adjusting the setting in the BIOS, applying Untied Overclocking Technology, or using third-party overclocking tools. Overclocking may affect your system's stability, or even cause damage to the components and devices of your system. It should be done at your own risk and expense. We are not responsible for possible damage caused by overclocking.*

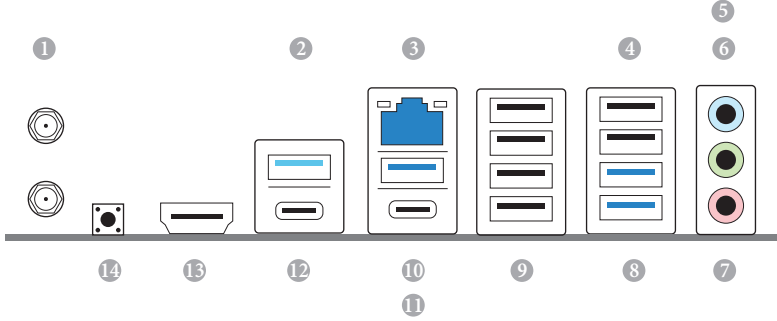
### 1.3 Motherboard Layout



No.	Description
1	ATX 12V Power Connector (ATX12V2)
2	ATX 12V Power Connector (ATX12V1)
3	2 x 288-pin DDR5 DIMM Slots (DDR5_A1, DDR5_B1)
4	CPU Fan Connector (CPU_FAN1)
5	CPU Fan Connector (CPU_FAN2)
6	AIO Pump Fan Connector (AIO_PUMP)
7	2 x 288-pin DDR5 DIMM Slots (DDR5_A2, DDR5_B2)
8	Addressable LED Header (ADDR_LED2)
9	Addressable LED Header (ADDR_LED3)
10	Post Status Checker (PSC)
11	ATX Power Connector (ATXPWR1)
12	USB 3.2 Gen1 Header (USB32_5_6)
13	Front Panel Type C USB 3.2 Gen2x2 Header (USB32_TC2)
14	SPI TPM Header (SPI_TPM_J1)
15	SATA3 Connectors (SATA3_2)(Upper), (SATA3_1)(Lower)
16	SATA3 Connectors (SATA3_A2)(Upper), (SATA3_A1)(Lower)
17	System Panel Header (PANEL1)
18	Power LED and Speaker Header (SPK_PLED1)
19	Chassis Fan Connector (CHA_FAN1)
20	Chassis Fan Connector (CHA_FAN2)
21	Clear CMOS Jumper (CLRCMOS1)
22	Chassis Fan Connector (CHA_FAN3)
23	USB 2.0 Header (USB_7_8)
24	USB 2.0 Header (USB_9)
25	Addressable LED Header (ADDR_LED1)
26	RGB LED Header (RGB_LED1)
27	Front Panel Audio Header (HD_AUDIO1)
28	Chassis Fan Connector (CHA_FAN4)

## 1.4 I/O Panel

### B850 Pro-A WiFi:



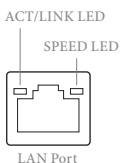
No.	Description	No.	Description
1	Antenna Ports	8	USB 3.2 Gen1 Ports (USB32_34)
2	USB 3.2 Gen1 Port (USB32_1)	9	USB 2.0 Ports (USB_1234)
3	2.5G LAN RJ-45 Port*	10	USB 3.2 Gen1 Port (USB32_2)
4	USB 2.0 Ports (USB_56)	11	USB 3.2 Gen2 Type-C Port (USB32_TC2)
5	Line In (Light Blue)**	12	USB 3.2 Gen1 Type-C Port (USB32_TC1)***
6	Front Speaker (Lime)**	13	HDMI Port
7	Microphone (Pink)**	14	BIOS Flashback Button

### B850 Pro-A:



No.	Description	No.	Description
1	USB 3.2 Gen1 Port (USB32_1)	8	USB 2.0 Ports (USB_1234)
2	2.5G LAN RJ-45 Port*	9	USB 3.2 Gen1 Port (USB32_2)
3	USB 2.0 Ports (USB_56)	10	USB 3.2 Gen2 Type-C Port (USB32_TC2)
4	Line In (Light Blue)**	11	USB 3.2 Gen1 Type-C Port (USB32_TC1)***
5	Front Speaker (Lime)**	12	HDMI Port
6	Microphone (Pink)**	13	BIOS Flashback Button
7	USB 3.2 Gen1 Ports (USB32_34)		

\* There are two LEDs on each LAN port. Please refer to the table below for the LAN port LED indications.



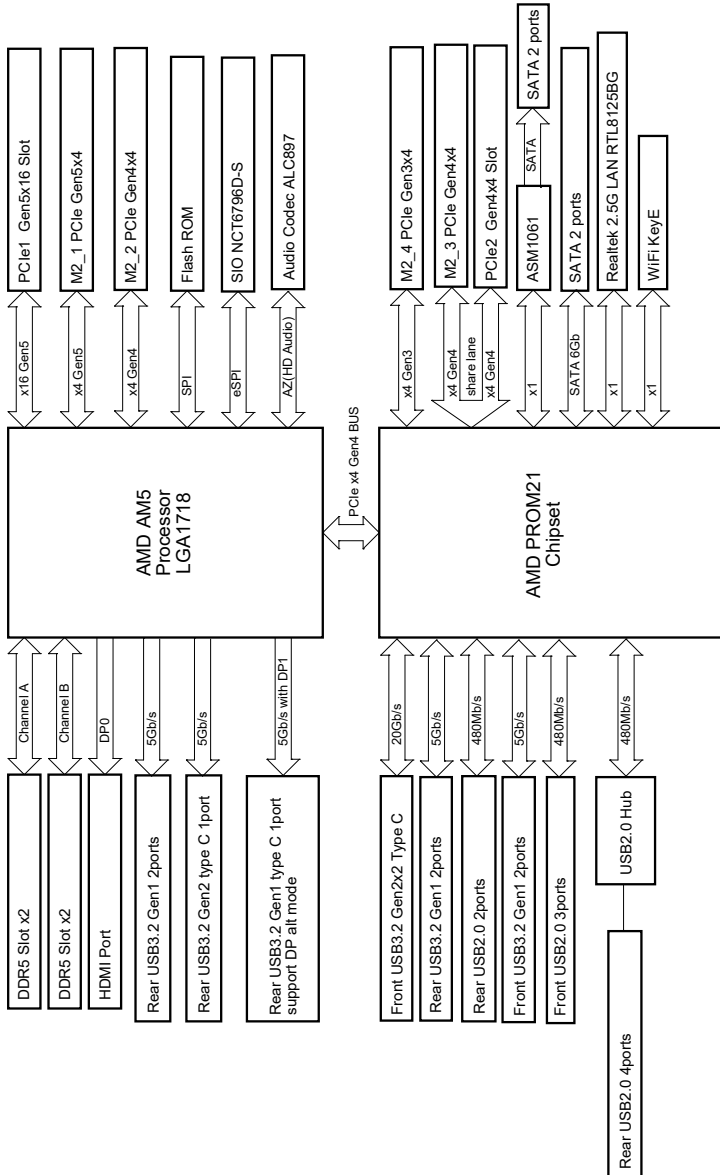
Activity / Link LED		Speed LED	
Status	Description	Status	Description
Off	No Link	Off	10Mbps connection
Blinking	Data Activity	Orange	100Mbps/1Gbps connection
On	Link	Green	2.5Gbps connection

\*\* Function of the Audio Ports in 7.1-channel Configuration:

Port	Function
Light Blue (Rear panel)	Rear Speaker Out
Lime (Rear panel)	Front Speaker Out
Pink (Rear panel)	Central /Subwoofer Speaker Out
Lime (Front panel)	Side Speaker Out

\*\*\* DP-alt mode supports DP1.4a.

## 1.5 Block Diagram



---

## 1.6 802.11ax Wi-Fi 6E Module and ASRock WiFi 2.4/5/6 GHz Antennas (B850 Pro-A WiFi)

### 802.11ax Wi-Fi 6E + BT Module

This motherboard comes with an exclusive 802.11 a/b/g/n/ac/ax/ax Wi-Fi 6E + BT v5.2 module that offers support for 802.11 a/b/g/n/ac/ax/ax Wi-Fi 6E connectivity standards and Bluetooth v5.2. Wi-Fi 6E + BT module is an easy-to-use wireless local area network (WLAN) adapter to support Wi-Fi 6E + BT. Bluetooth v5.2 standard features Smart Ready technology that adds a whole new class of functionality into the mobile devices. BT also includes Low Energy Technology and ensures extraordinary low power consumption for PCs.

- \* The transmission speed may vary according to the environment.
- \* Wi-Fi 6E (6GHz band) will be supported by Microsoft® Windows® 11. The availability will depend on the different regulation status of each country and region. It will be activated (for supported countries) through Windows Update and software updates once available.
- \* A 6GHz compatible router is required for 6E functionality.

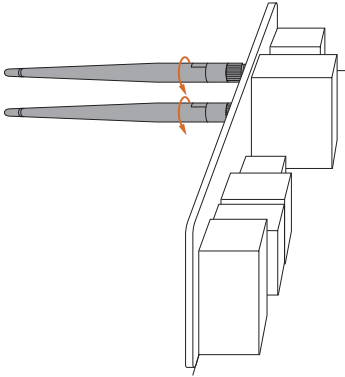


## WiFi Antennas Installation Guide



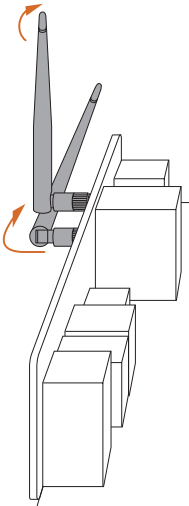
### **Step 1**

Prepare the WiFi 2.4/5/6 GHz Antennas that come with the package.



### **Step 2**

Connect the two WiFi 2.4/5/6 GHz Antennas to the antenna connectors. Turn the antenna clockwise until it is securely connected.



### **Step 3**

Set the WiFi 2.4/5/6 GHz Antenna as shown in the illustration.

\*You may need to adjust the direction of the antenna for a stronger signal.

---

## Chapter 2 Installation

This is an ATX form factor motherboard. Before you install the motherboard, study the configuration of your chassis to ensure that the motherboard fits into it.

### Pre-installation Precautions

Take note of the following precautions before you install motherboard components or change any motherboard settings.

- Make sure to unplug the power cord before installing or removing the motherboard components. Failure to do so may cause physical injuries and damages to motherboard components.
- In order to avoid damage from static electricity to the motherboard's components, NEVER place your motherboard directly on a carpet. Also remember to use a grounded wrist strap or touch a safety grounded object before you handle the components.
- Hold components by the edges and do not touch the ICs.
- Whenever you uninstall any components, place them on a grounded anti-static pad or in the bag that comes with the components.
- When placing screws to secure the motherboard to the chassis, please do not over-tighten the screws! Doing so may damage the motherboard.

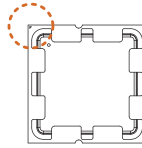
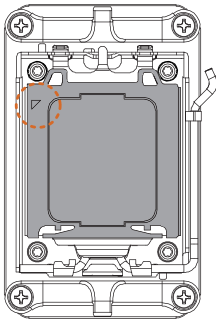
## 2.1 Installing the CPU



1. Before you insert the 1718-Pin CPU into the socket, please check if the **PnP cap** is on the socket, if the CPU surface is unclean, or if there are any **bent pins** in the socket. Do not force to insert the CPU into the socket if above situation is found. Otherwise, the CPU will be seriously damaged.
2. Unplug all power cables before installing the CPU.

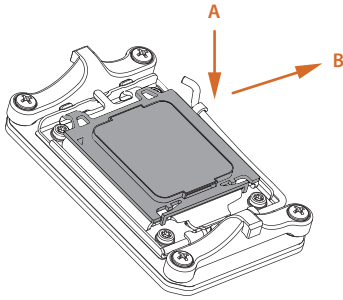


Tutorial Video

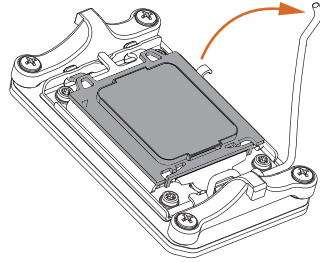


Turn your CPU to the correct orientation before opening the CPU socket cover.

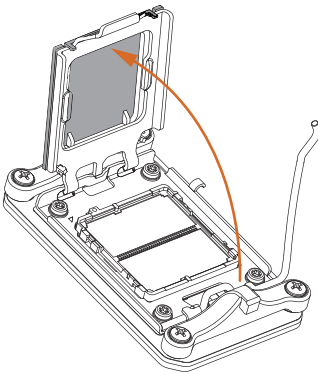
1



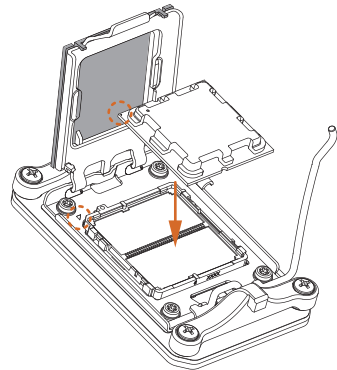
2



3

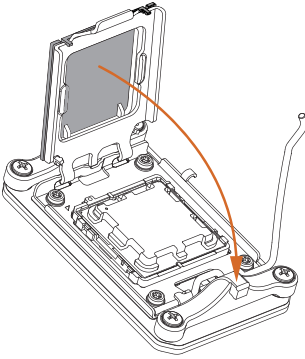


4

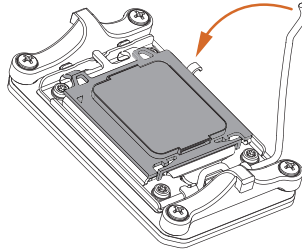


Carefully place the CPU in as flat as possible. Do not drop it.

5

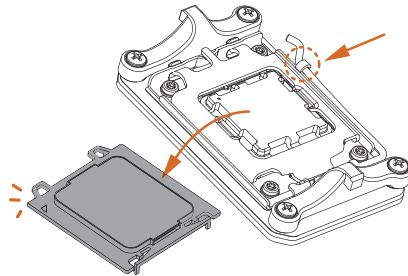


6



Make sure the CPU is aligned with the socket before locking it into place.

7



Make sure the black cover plate is always in place until it pops off when closing the socket lever.



Please save the cover if the processor is removed. The cover must be placed if you wish to return the motherboard for after service.

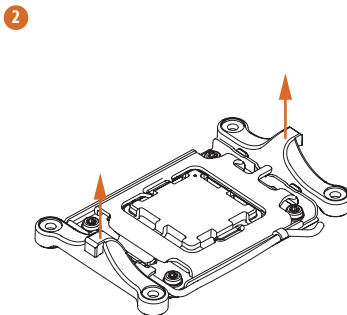
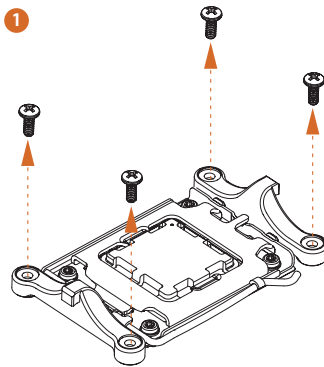
## 2.2 Installing the CPU Fan and Heatsink

After you install the CPU into this motherboard, it is necessary to install a larger heatsink and cooling fan to dissipate heat. You also need to spray thermal grease between the CPU and the heatsink to improve heat dissipation. Make sure that the CPU and the heatsink are securely fastened and in good contact with each other.

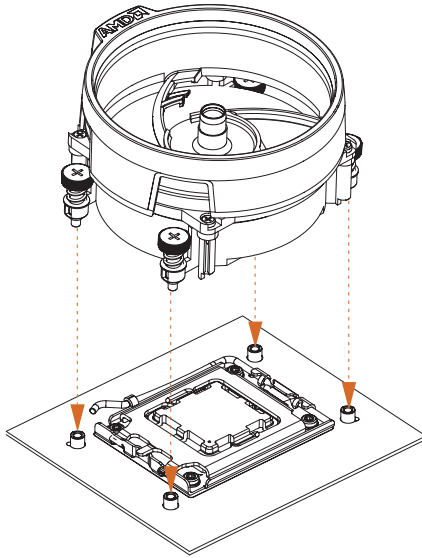


*Please turn off the power or remove the power cord before changing a CPU or heatsink.*

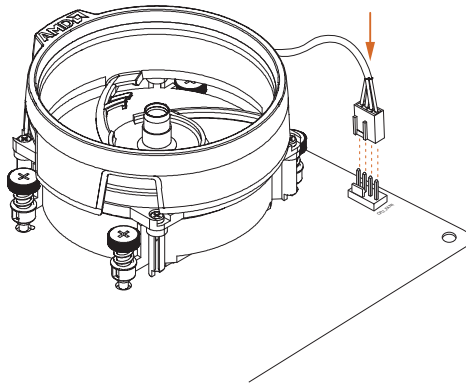
### Installing the CPU Cooler (Type 1)



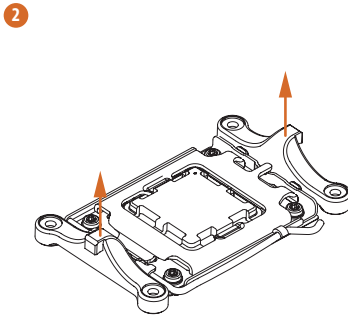
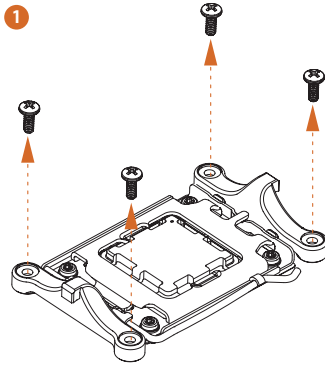
3



4

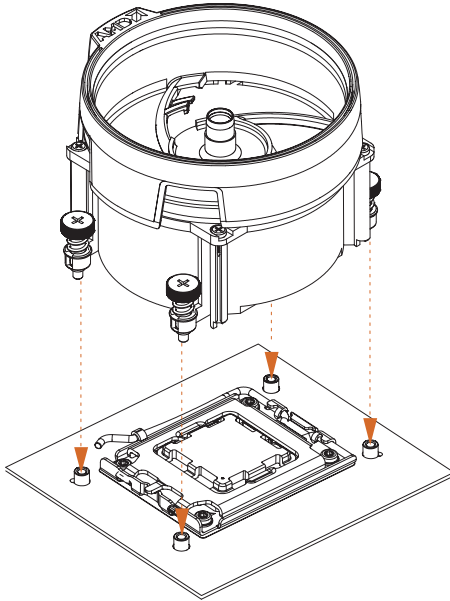


## Installing the CPU Cooler (Type 2)

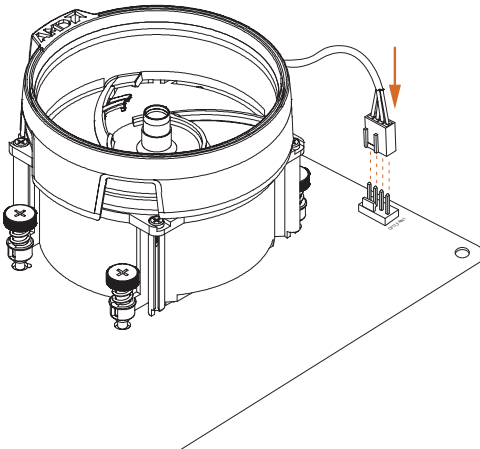




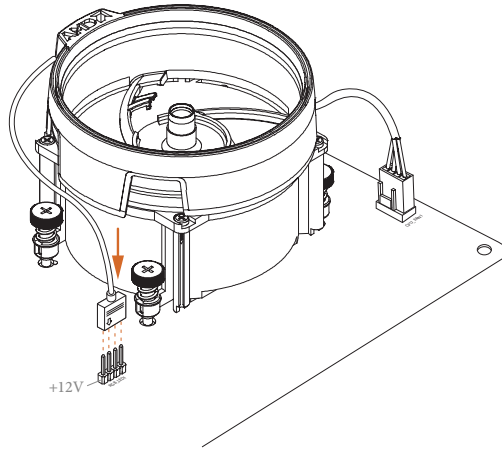
3



4



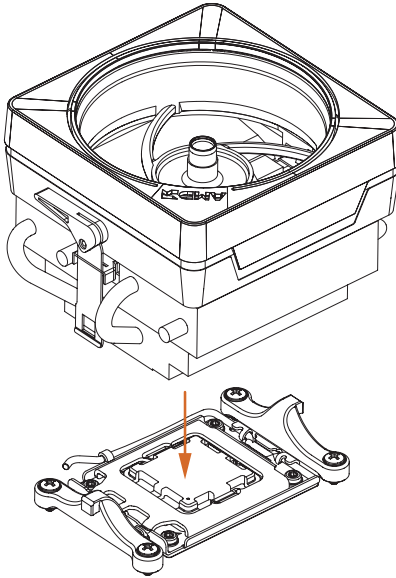
5



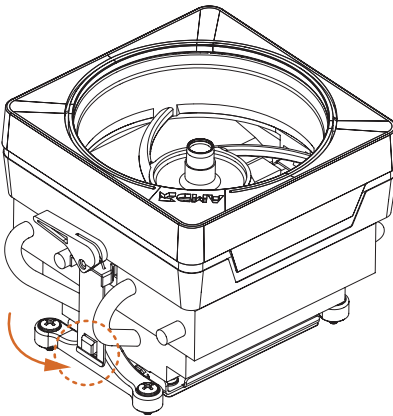
\*The illustrations shown here are for reference purposes only and may not exactly match the model you purchase.

## Installing the CPU Cooler (Type 3)

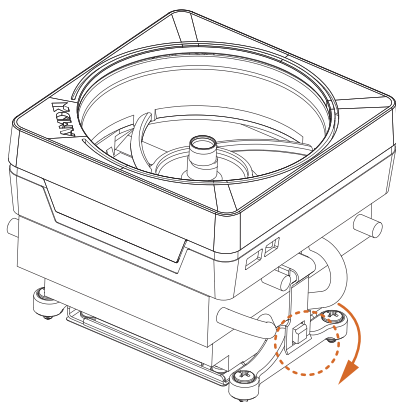
1



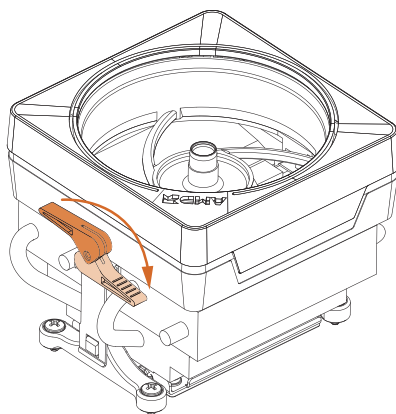
2



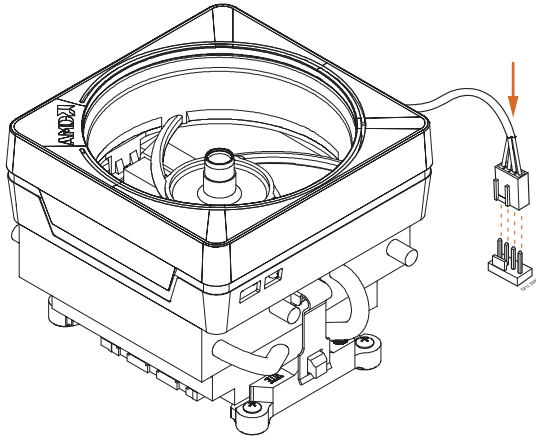
3



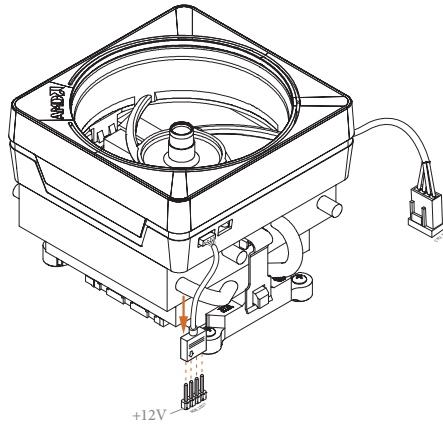
4



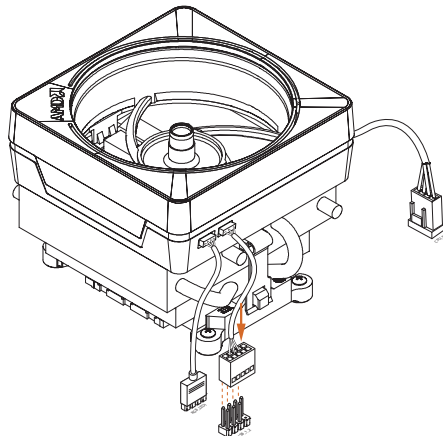
5



6



or



Please note that only one cable should be used at a time in this step.  
If you select RGB\_LED1, please install ASRock utility "ASRock Polychrome SYNC".  
If you select USB connector, please install AMD utility "SR3 Settings Software".

\*The illustrations shown here are for reference purposes only and may not exactly match the model you purchase.

## 2.3 Installing Memory Modules (DIMM)

This motherboard provides four 288-pin DDR5 (Double Data Rate 5) DIMM slots, and supports Dual Channel Memory Technology.



1. For dual channel configuration, you always need to install identical (the same brand, speed, size and chip-type) DDR5 DIMM pairs.
2. It is unable to activate Dual Channel Memory Technology with only one or three memory module installed.
3. It is not allowed to install a DDR, DDR2, DDR3 or DDR4 memory module into a DDR5 slot; otherwise, this motherboard and DIMM may be damaged.
4. The DIMM only fits in one correct orientation. It will cause permanent damage to the motherboard and the DIMM if you force the DIMM into the slot at incorrect orientation.

### Recommended Memory Configuration

#### 1 DIMM



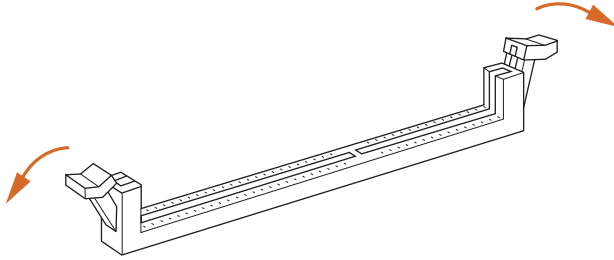
#### 2 DIMMs



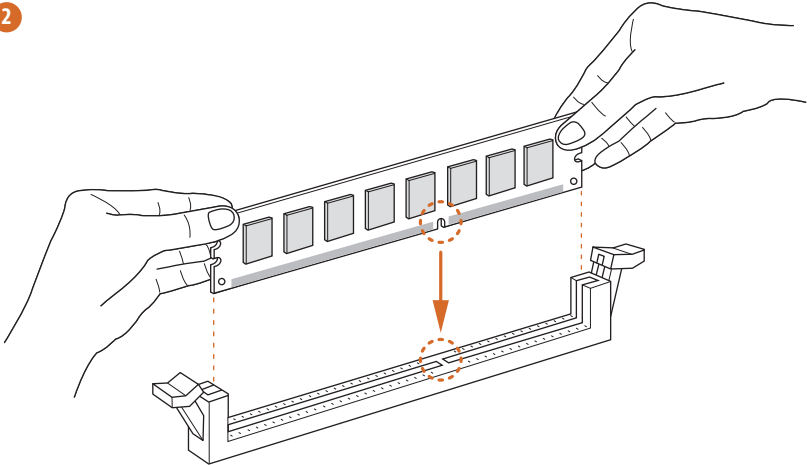
#### 4 DIMMs



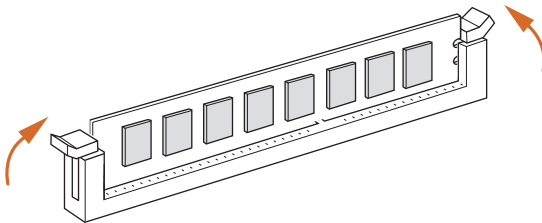
1



2

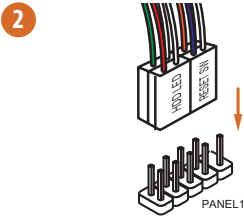
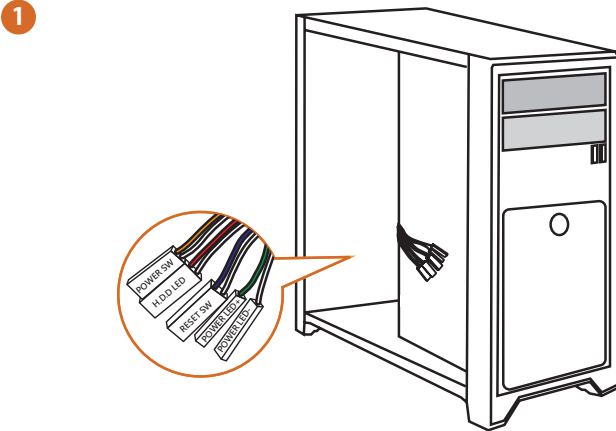


3

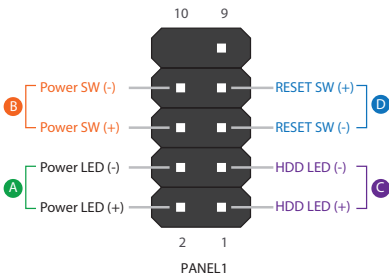




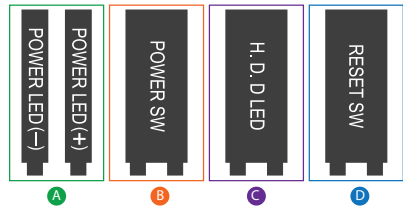
## 2.4 Connecting the Front Panel Header



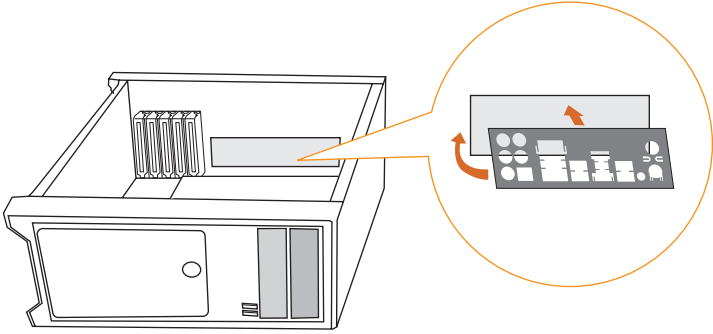
System Panel Header



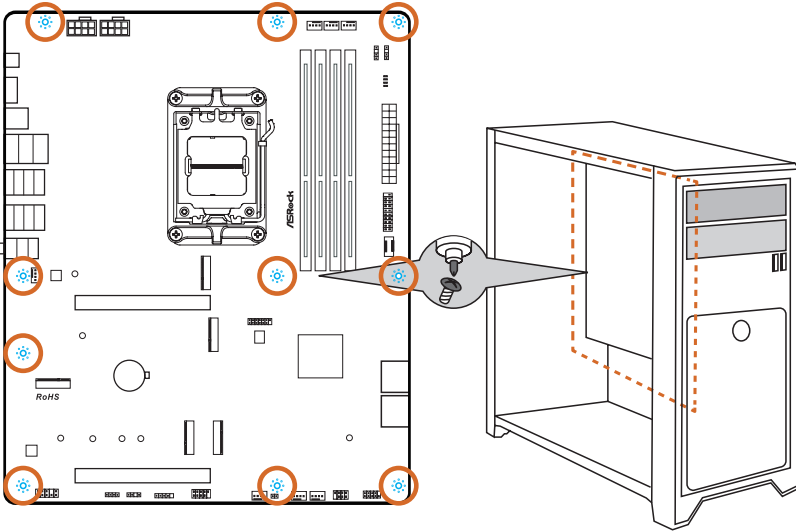
Front Panel Wires



## 2.5 Installing the I/O Panel Shield

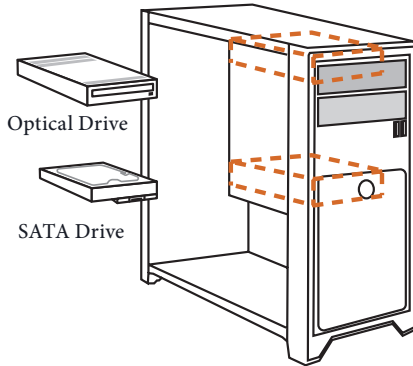


## 2.6 Installing the Motherboard

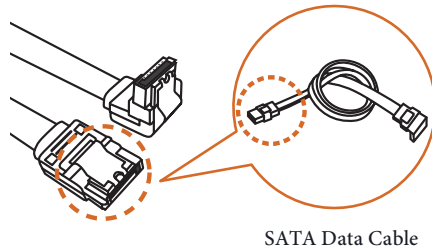


## 2.7 Installing SATA Drives

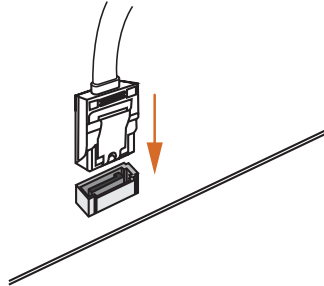
1



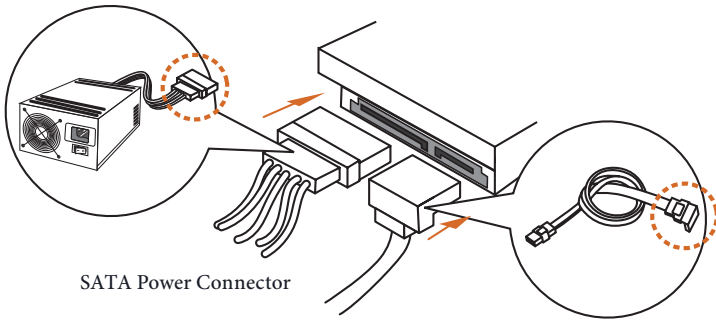
2



3



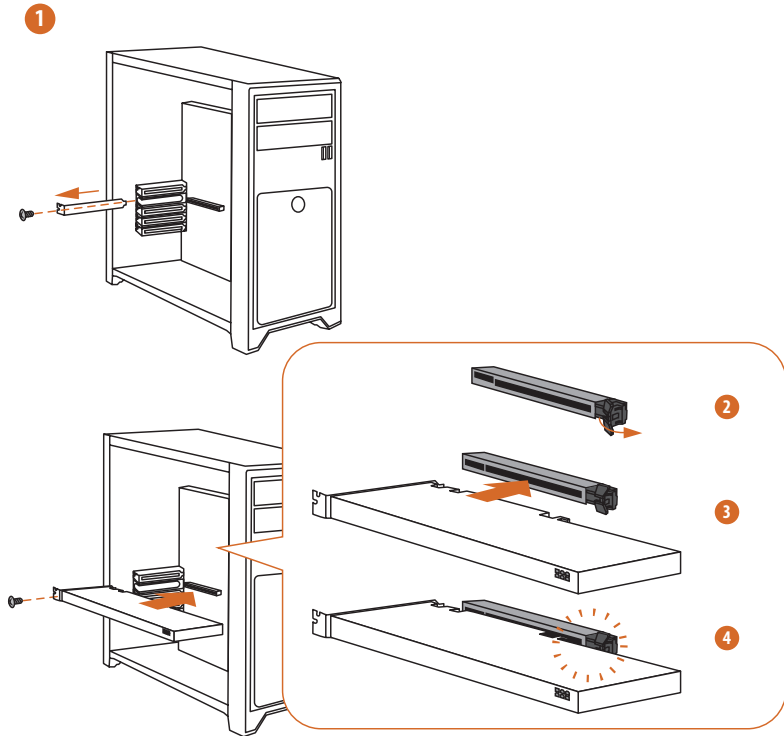
4



SATA Power Connector

SATA Data Connector

## 2.8 Installing a Graphics Card



## Expansion Slots (PCIe Slots)

There are 2 PCI Express slots on the motherboard.



*Before installing an expansion card, please make sure that the power supply is switched off or the power cord is unplugged. Please read the documentation of the expansion card and make necessary hardware settings for the card before you start the installation.*

### **PCIe slots:**

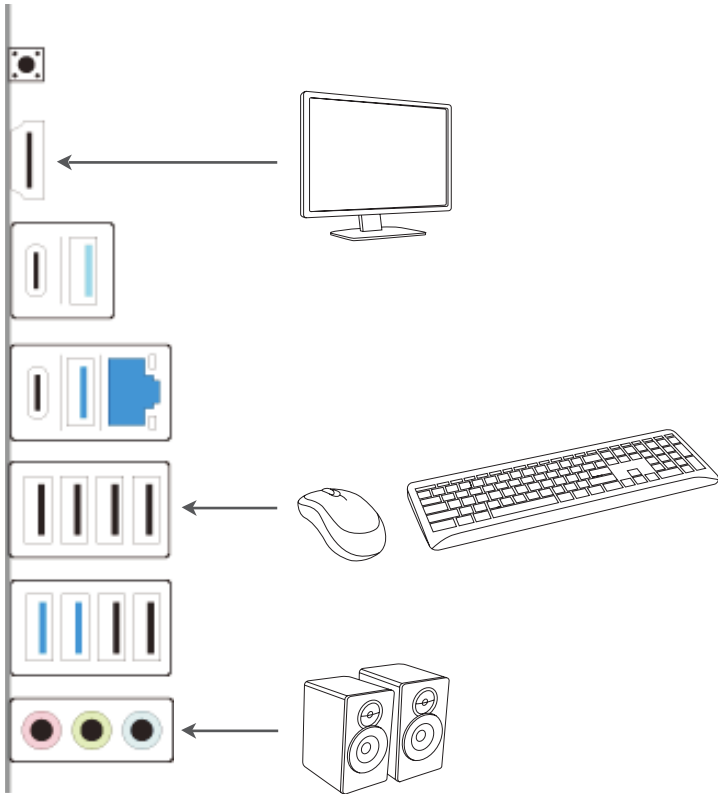
PCIE1 (PCIe 5.0 x16 slot) is used for PCIe x16 lane width graphics cards.

PCIE2 (PCIe 4.0 x16 slot) is used for PCIe x4 lane width graphics cards.

\* PCIE1 will run at Gen5x16 with 9000 and 7000 series processors, Gen4x8 with 8000 (Phoenix 1) series processors and Gen4x4 with 8000 (Phoenix 2) series processors.

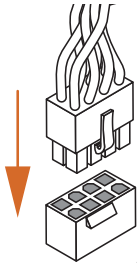
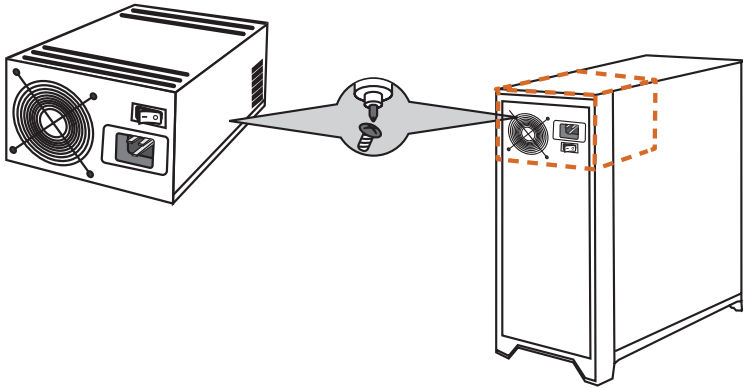
\* If M2\_3 is occupied, PCIE2 will be disabled.

## 2.9 Connecting Peripheral Devices

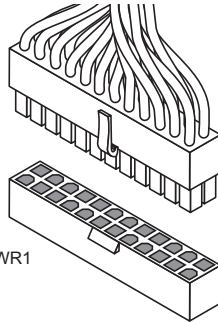




## 2.10 Connecting the Power Connectors

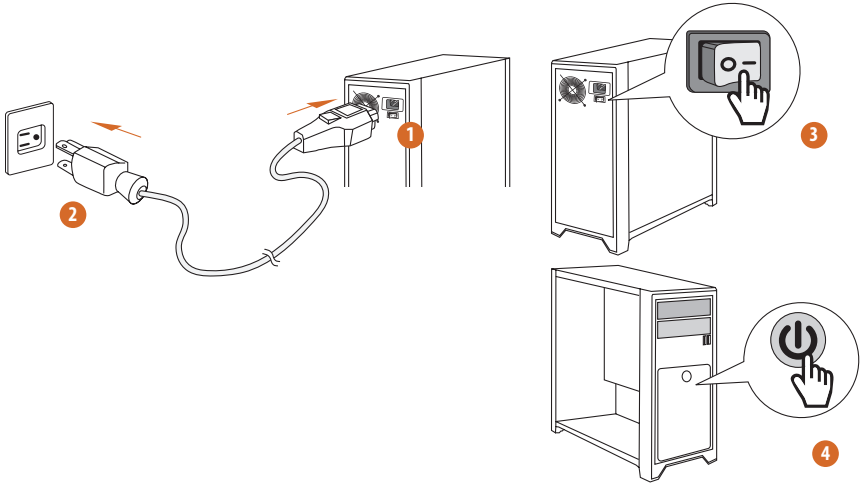


ATX12V1



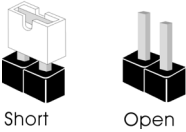
ATXPWR1

## 2.11 Power On



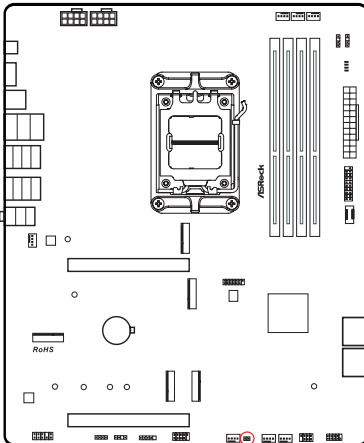
## 2.12 Jumpers Setup

The illustration shows how jumpers are setup. When the jumper cap is placed on the pins, the jumper is “Short”. If no jumper cap is placed on the pins, the jumper is “Open”.



### Clear CMOS Jumper (CLR CMOS1) (see p.7, No. 21)

CLR CMOS1 allows you to clear the data in CMOS. The data in CMOS includes system setup information such as system password, date, time, and system setup parameters. To clear and reset the system parameters to default setup, please turn off the computer and unplug the power cord, then use a jumper cap to short the pins on CLR CMOS1 for 3 seconds. Please remember to remove the jumper cap after clearing the CMOS. If you need to clear the CMOS when you just finish updating the BIOS, you must boot up the system first, and then shut it down before you do the clear-CMOS action.



CLR CMOS1



2-pin Jumper

Short: Clear CMOS  
Open: Default

## 2.13 Onboard Headers and Connectors

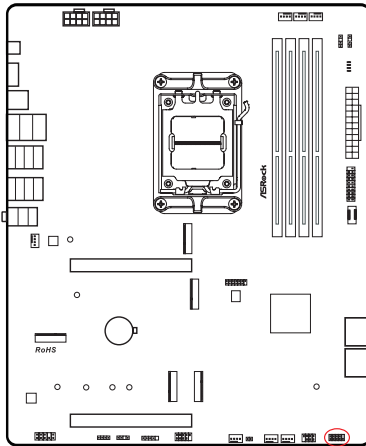


Onboard headers and connectors are **NOT** jumpers. Do **NOT** place jumper caps over these headers and connectors. Placing jumper caps over the headers and connectors will cause permanent damage to the motherboard.

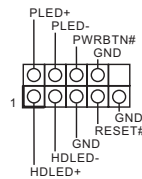
### System Panel Header

(9-pin PANEL1) (see p.7, No. 17)

Connect the power button, reset button and system status indicator on the chassis to this header according to the pin assignments below. Note the positive and negative pins before connecting the cables.



PANEL1



#### **PWRBTN (Power Button):**

Connect to the power button on the chassis front panel. You may configure the way to turn off your system using the power button.

#### **RESET (Reset Button):**

Connect to the reset button on the chassis front panel. Press the reset button to restart the computer if the computer freezes and fails to perform a normal restart.

#### **PLED (System Power LED):**

Connect to the power status indicator on the chassis front panel. The LED is on when the system is operating. The LED keeps blinking when the system is in S1/S3 sleep state. The LED is off when the system is in S4 sleep state or powered off (S5).

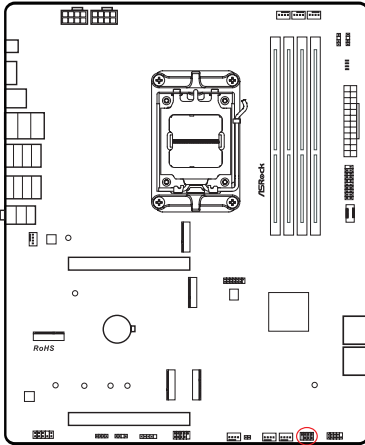
#### **HDLED (Hard Drive Activity LED):**

Connect to the hard drive activity LED on the chassis front panel. The LED is on when the hard drive is reading or writing data.

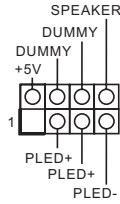
The front panel design may differ by chassis. A front panel module mainly consists of power button, reset button, power LED, hard drive activity LED, speaker and etc. When connecting your chassis front panel module to this header, make sure the wire assignments and the pin assignments are matched correctly.

**Power LED and Speaker Header**  
(7-pin SPK\_PLED1) (see p.7, No. 18)

Please connect the chassis power LED and the chassis speaker to this header.



**SPK\_PLED1**



**Serial ATA3 Connectors**

Right Angle:

(SATA3\_2) (see p.7, No. 15) (Upper)

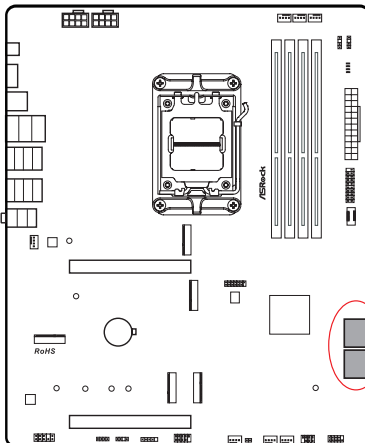
(SATA3\_1) (see p.7, No. 15) (Lower)

(SATA3\_A2) (see p.7, No. 16) (Upper)

(SATA3\_A1) (see p.7, No. 16) (Lower)

These four SATA3 connectors support SATA data cables for internal storage devices with up to 6.0 Gb/s data transfer rate.

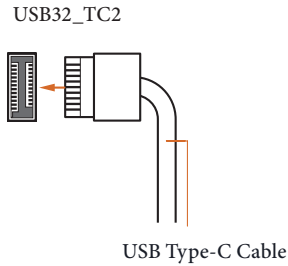
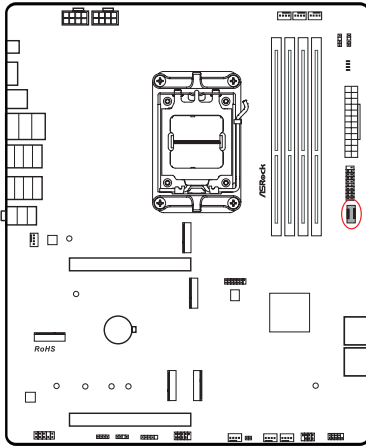
\*If SATA3\_1 or SATA3\_2 is occupied, M2\_4 will downgrade to Gen3x2 mode.





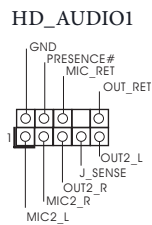
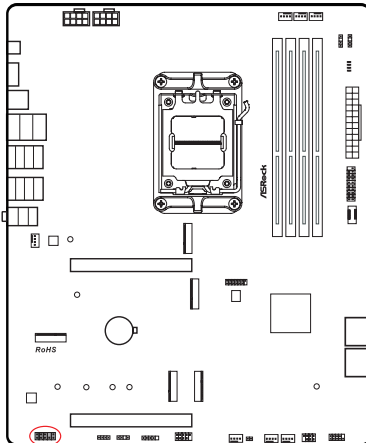
### Front Panel Type C USB 3.2 Gen2x2 Header (20-pin USB32\_TC2) (see p.7, No. 13)

There is one Front Panel Type C USB 3.2 Gen2x2 Header on this motherboard.  
This header is used for connecting a USB 3.2 Gen2x2 module for additional USB 3.2 Gen2x2 ports.



### Front Panel Audio Header (9-pin HD\_AUDIO1) (see p.7, No. 27)

This header is for connecting audio devices to the front audio panel.



High Definition Audio supports Jack Sensing, but the panel wire on the chassis must support HDA to function correctly. Please follow the instructions in our manual and chassis manual to install your system.

## Chassis Fan Connectors

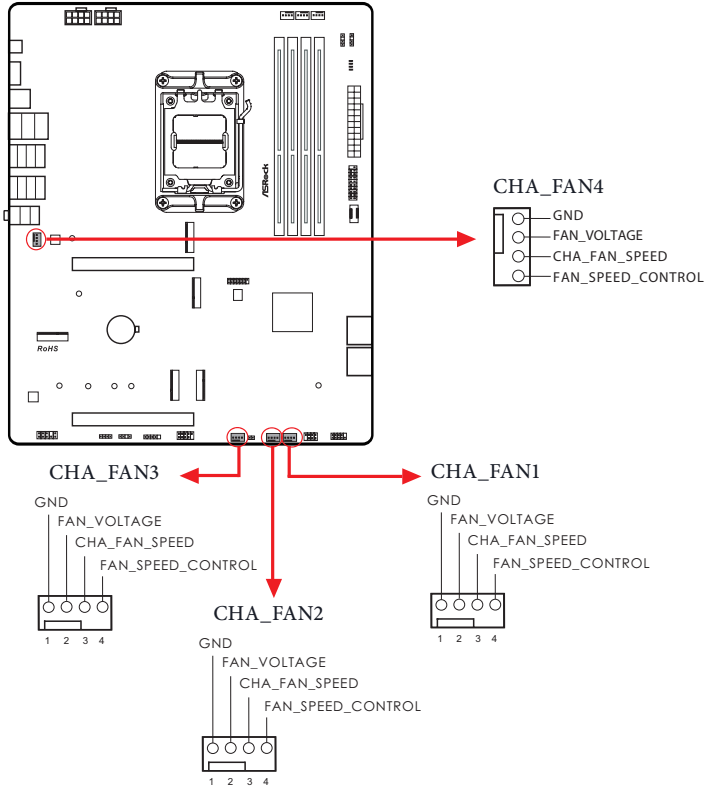
(4-pin CHA\_FAN1) (see p.7, No. 19)

(4-pin CHA\_FAN2) (see p.7, No. 20)

(4-pin CHA\_FAN3) (see p.7, No. 22)

(4-pin CHA\_FAN4) (see p.7, No. 28)

This header allows you to connect Case or Radiator fan. If you plan to connect a 3-pin fan, please connect it to Pin 1-3.

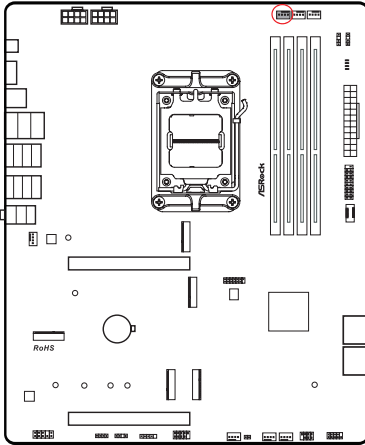




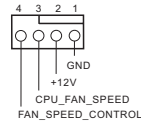
### CPU Fan Connector

(4-pin CPU\_FAN1) (see p.7, No. 4)

This header allows you to connect CPU fan. If you plan to connect a 3-pin fan, please connect it to Pin 1-3.



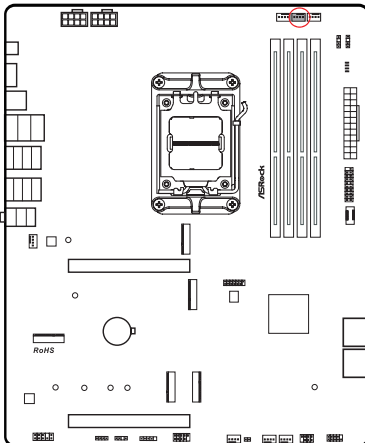
CPU\_FAN1



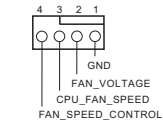
### CPU Fan Connector

(4-pin CPU\_FAN2) (see p.7, No. 5)

This header allows you to connect CPU fan or Water Pump. If you plan to connect a 3-pin fan, please connect it to Pin 1-3.



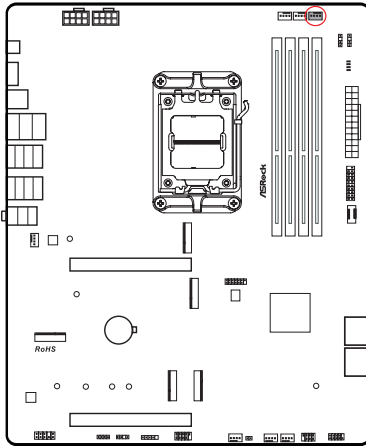
CPU\_FAN2



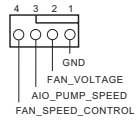
## AIO Pump Fan Connector

(4-pin AIO\_PUMP) (see p.7, No. 6)

This header allows you to connect AIO (All-in-One) pump or fan. If you plan to connect a 3-pin AIO cooler fan, please connect it to Pin 1-3.



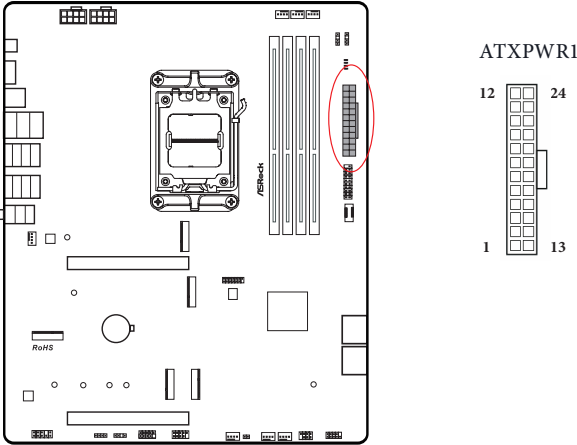
AIO\_PUMP



### ATX Power Connector

(24-pin ATXPWR1) (see p.7, No. 11)

This motherboard provides a 24-pin ATX power connector. To use a 20-pin ATX power supply, please plug it along Pin 1 and Pin 13.



### ATX 12V Power Connectors

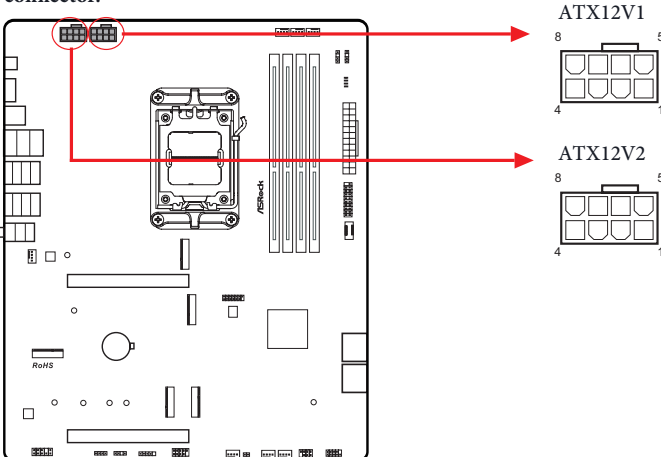
(8-pin ATX12V1) (see p.7, No. 2)

(8-pin ATX12V2) (see p.7, No. 1)

This motherboard provides two 8-pin ATX 12V power connectors. To use a 4-pin ATX power supply, please plug it along Pin 1 and Pin 5.

\*Connecting an ATX 12V 8-pin cable to ATX12V2 is optional.

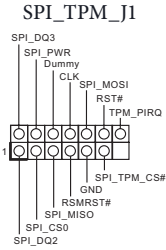
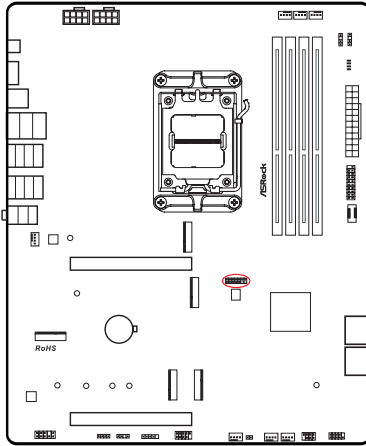
**\*Warning: Please make sure that the power cable connected is for the CPU and not the graphics card. Do not plug the PCIe power cable to this connector.**



## SPI TPM Header

(13-pin SPI\_TPM\_J1) (see p.7, No. 14)

This connector supports SPI Trusted Platform Module (TPM) system, which can securely store keys, digital certificates, passwords, and data. A TPM system also helps enhance network security, protects digital identities, and ensures platform integrity.

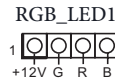
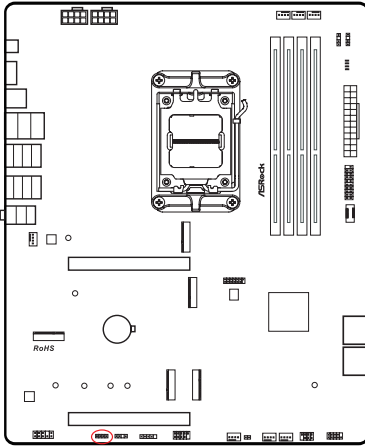


### RGB LED Header

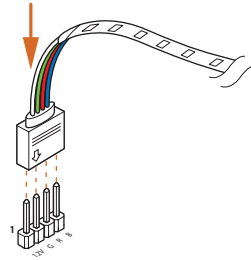
(4-pin RGB\_LED1) (see p.7, No. 26)

This RGB header is used to connect RGB LED extension cable which allow users to choose from various LED lighting effects.

**Caution: Never install the RGB LED cable in the wrong orientation; otherwise, the cable may be damaged.**



Connect your RGB LED strip to the **RGB LED Header (RGB\_LED1)** on the motherboard.



1. Never install the RGB LED cable in the wrong orientation; otherwise, the cable may be damaged.
2. Before installing or removing your RGB LED cable, please power off your system and unplug the power cord from the power supply. Failure to do so may cause damages to motherboard components.



1. Please note that the RGB LED strips do not come with the package.
2. The RGB LED header supports standard 5050 RGB LED strip (12V/G/R/B), with a maximum power rating of 3A (12V) and length within 2 meters.

### Addressable LED Headers

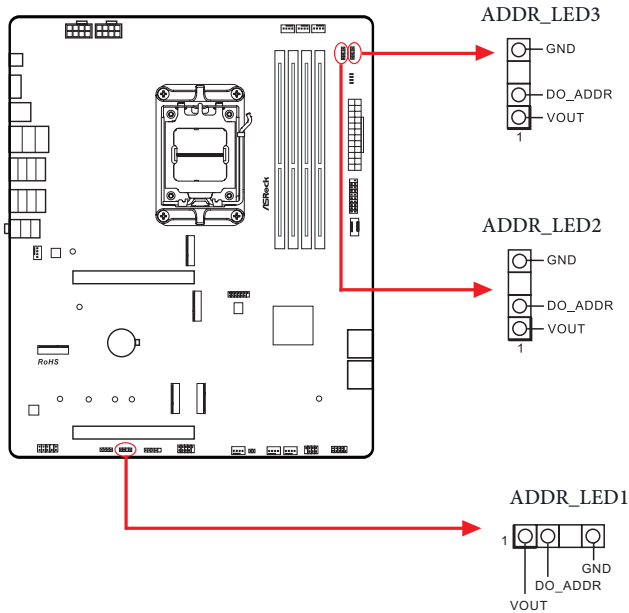
(3-pin ADDR\_LED1) (see p.7, No. 25)

(3-pin ADDR\_LED2) (see p.7, No. 8)

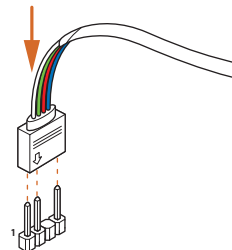
(3-pin ADDR\_LED3) (see p.7, No. 9)

These headers are used to connect Addressable LED extension cables which allow users to choose from various LED lighting effects.

**Caution: Never install the Addressable LED cable in the wrong orientation; otherwise, the cable may be damaged.**



Connect your Addressable RGB LED strips to the Addressable LED Headers (ADDR\_LED1 / ADDR\_LED2 / ADDR\_LED3) on the motherboard.





1. *Never install the Addressable LED cable in the wrong orientation; otherwise, the cable may be damaged.*
2. *Before installing or removing your Addressable LED cable, please power off your system and unplug the power cord from the power supply. Failure to do so may cause damages to motherboard components.*



1. *Please note that the Addressable LED strips do not come with the package.*
2. *The Addressable LED header supports WS2812B addressable RGB LED strip (5V/Data/GND), with a maximum power rating of 3A (5V) and length within 2 meters.*

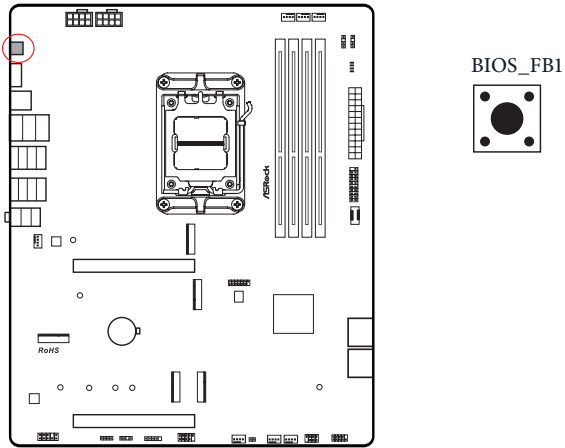
## 2.14 Smart Switches

The motherboard has one smart switch: BIOS Flashback Button, allowing users to flash the BIOS.

BIOS Flashback Button

(BIOS\_FB1) (see p.9)

BIOS Flashback Button allows users to flash the BIOS.





ASRock BIOS Flashback feature allows you to update BIOS without powering on the system, even without CPU.



*Before using the BIOS Flashback function, please suspend BitLocker and any encryption or security relying on the TPM. Make sure that you have already stored and backup-ed the recovery key. If the recovery key is missing while encryption is active, the data will stay encrypted and the system will not boot into the operating system. It is recommended to disable fTPM before updating the BIOS. Otherwise an unpredictable failure may occur.*

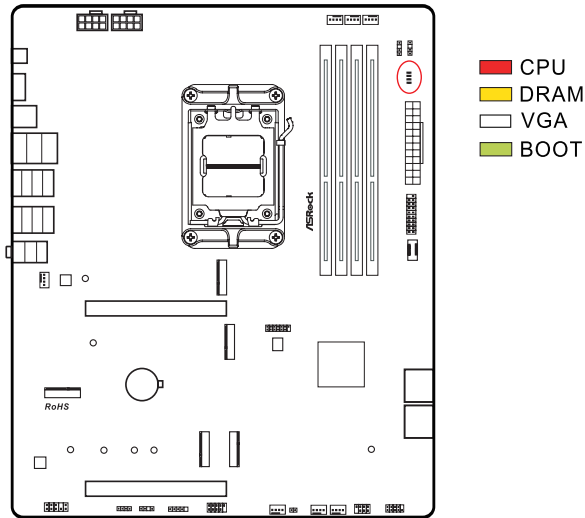
To use the USB BIOS Flashback function, Please follow the steps below.

1. Download the latest BIOS file from ASRock's website : <http://www.asrock.com>.
2. Copy the BIOS file to your USB flash drive. Please make sure the file system of your USB flash drive must be FAT32.
3. Extract BIOS file from the zip file.
4. Rename the file to "**creative.rom**" and save it to the root directory of X: USB flash drive.
5. Plug the 24 pin power connector to the motherboard. Then turn on the power supply's AC switch.  
\*There is no need to power on the system.
6. Then plug your USB drive to the USB BIOS Flashback port.
7. Press the BIOS Flashback Switch for about three seconds. Then the LED starts to blink.
8. Wait until the LED stops blinking, indicating that BIOS flashing has been completed.  
\*If the LED light turns solid green, this means that the BIOS Flashback is not operating properly. Please make sure that you plug the USB drive to the USB BIOS Flashback port.  
\*\*If the LED does not light up at all then please disconnect power from the system and remove/disconnect the CMOS battery from the motherboard for several minutes. Reconnect power and battery and try again.

## 2.15 Post Status Checker

Post Status Checker (PSC) diagnoses the computer when users power on the machine. The LEDs light up to show what component is running into an issue. They emit red, yellow, white and yellow-green lights to indicate, respectively, the CPU, memory, VGA and storage are not detected or fail. They will remain lit until the issue is fixed. The lights go off if the four mentioned above are functioning normally.

Component	LED Indicator	Status
CPU	Solid Red	indicates CPU is dysfunctional.
DRAM	Solid Yellow	indicates DRAM is dysfunctional.
VGA	Solid White	indicates GPU is dysfunctional.
BOOT	Solid Yellow-Green	indicates boot device is dysfunctional.



*It is normal for the DRAM status LED to blink during memory training. This indicates the system is working properly.*



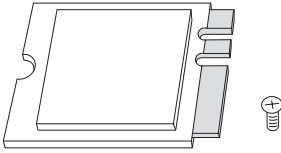
Tutorial Video

## 2.16 M.2 WiFi/BT PCIe WiFi Module Installation Guide (B850 Pro-A)

The M.2 is a small size and versatile card edge connector that aims to replace mPCIe and mSATA. The M.2 Socket (Key E) supports type 2230 WiFi/BT PCIe WiFi module.

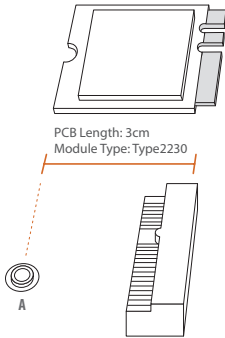
\* The M.2 socket does not support SATA M.2 SSDs.

### Installing the WiFi/BT module



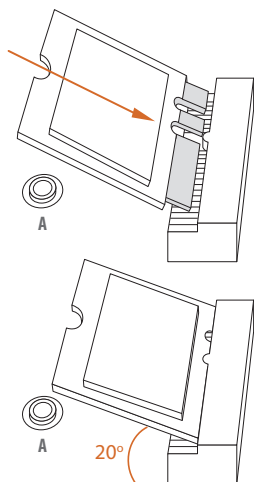
#### **Step 1**

Prepare a type 2230 WiFi/BT PCIe WiFi module and the screw.



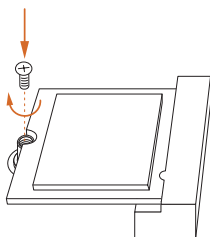
#### **Step 2**

Find the nut location to be used.



### **Step 3**

Gently insert the WiFi/BT PCIe WiFi module into the M.2 slot. Please be aware that the module only fits in one orientation.



### **Step 4**

Tighten the screw with a screwdriver to secure the module into place. Please do not overtighten the screw as this might damage the module.

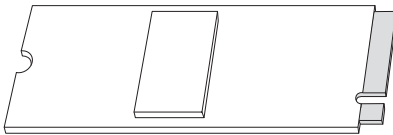
## 2.17 M.2 SSD Installation Guide (M2\_1)

The M.2 is a small size and versatile card edge connector that aims to replace mPCIe and mSATA. The Blazing M.2 Socket (M2\_1, Key M) supports type 2280 PCIe Gen5x4 (128 Gb/s) mode.

\* M2\_1 is the first priority for M.2 installation.

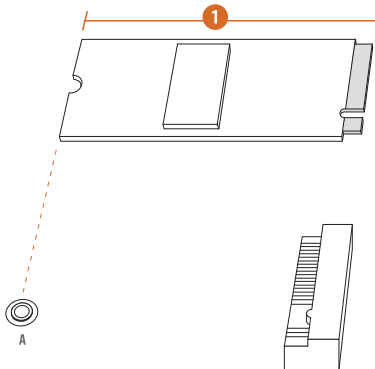
\* M2\_1 will run at Gen5x4 with 9000 and 7000 series processors and Gen4x4 with 8000 (Phoenix 1 and Phoenix 2) series processors.

### Installing the M.2 SSD



#### Step 1

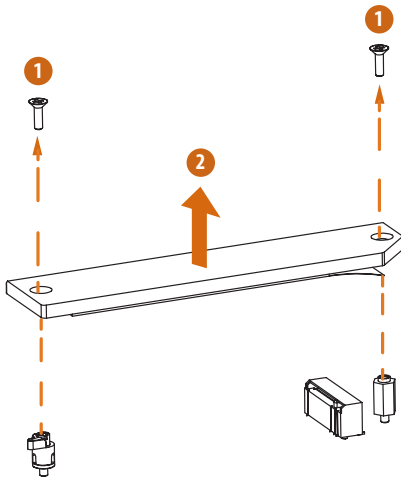
Prepare a M.2 SSD.



#### Step 2

Depending on the PCB type and length of your M.2 SSD, find the corresponding nut location to be used.

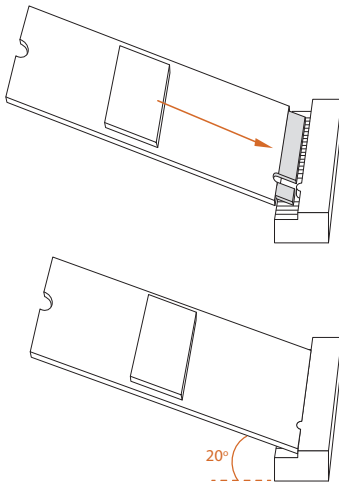
No.	1
Nut Location	A
PCB Length	8cm
Module Type	Type 2280



### Step 3

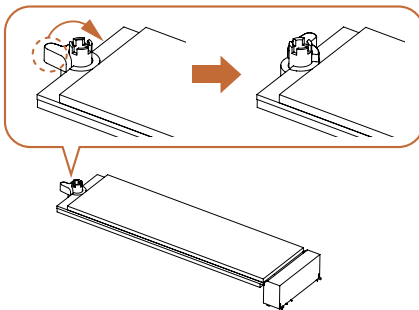
Before installing a M.2 SSD, please loosen the screws to remove the M.2 heatsink.

\*Please remove the protective films on the bottom side of the M.2 heatsink before you install a M.2 SSD.



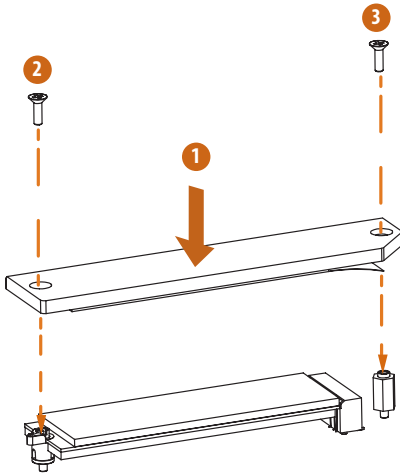
### Step 4

Align and gently insert the M.2 SSD into the M.2 slot. Please be aware that the M.2 SSD only fits in one orientation.



### Step 5

Ensure that the notch at the end of the M.2 SSD aligns with the nut. Then secure the M.2 SSD by turning the nut lock clockwise to its locked position.



**Step 6**

Tighten the screws with a screwdriver to secure the M.2 SSD and M.2 heatsink into place in the order shown. Tighten screw opposite the M.2 connector first (2), and then tighten the one next to the M.2 connector (3).

\*Please do not overtighten the screw as this might damage the M.2 SSD and M.2 heatsink.

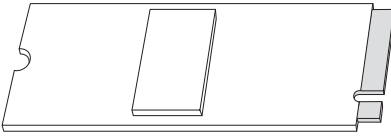
For the latest updates of M.2 SSD support list, please visit our website for details: <http://www.asrock.com>

## 2.18 M.2 SSD Installation Guide (M2\_2)

The M.2 is a small size and versatile card edge connector that aims to replace mPCIe and mSATA. The Hyper M.2 Socket (M2\_2, Key M) supports type 2280 PCIe Gen4x4 (64 Gb/s) mode.

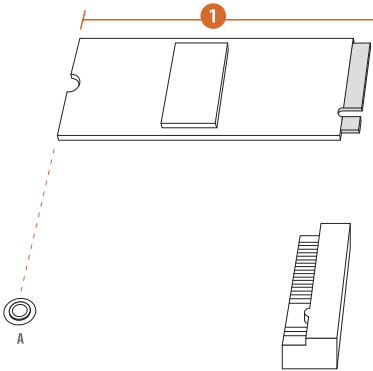
\* M2\_2 will run at Gen4x4 with 9000 and 7000 series processors, Gen4x4 with 8000 (Phoenix 1) series processors and Gen4x2 with 8000 (Phoenix 2) series processors.

### Installing the M.2 SSD



#### Step 1

Prepare a M.2 SSD.

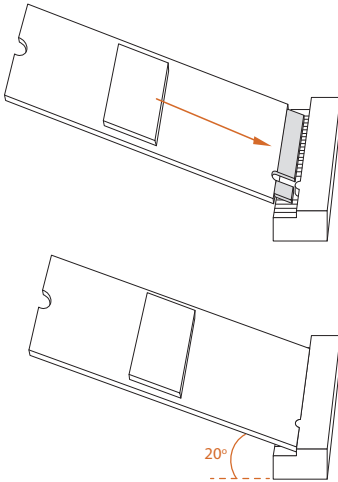


#### Step 2

Depending on the PCB type and length of your M.2 SSD, find the corresponding nut location to be used.

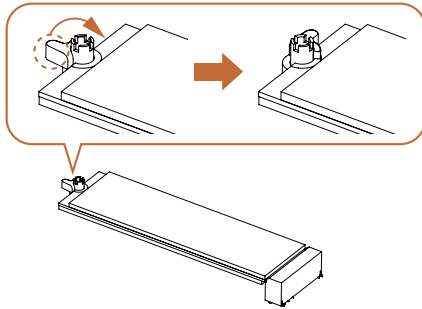
No.	1
Nut Location	A
PCB Length	8cm
Module Type	Type 2280





**Step 3**

Align and gently insert the M.2 SSD into the M.2 slot. Please be aware that the M.2 SSD only fits in one orientation.



**Step 4**

Ensure that the notch at the end of the M.2 SSD aligns with the nut. Then secure the M.2 SSD by turning the nut lock clockwise to its locked position.

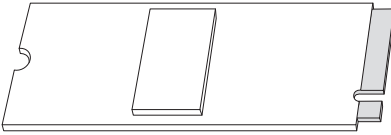
For the latest updates of M.2 SSD support list, please visit our website for details: <http://www.asrock.com>

## 2.19 M.2 SSD Installation Guide (M2\_3)

The M.2 is a small size and versatile card edge connector that aims to replace mPCIe and mSATA. The Hyper M.2 Socket (M2\_2, Key M) supports type 2230/2242/2260/2280 PCIe Gen4x4 (64 Gb/s) mode.

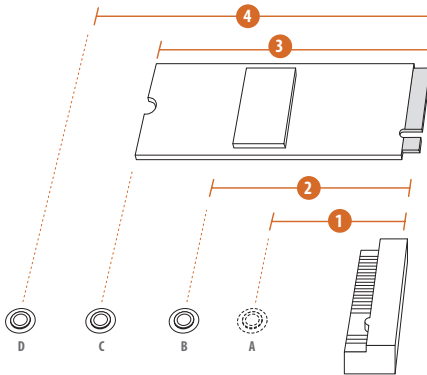
\* If M2\_3 is occupied, PCIE2 will be disabled.

### Installing the M.2 SSD



#### Step 1

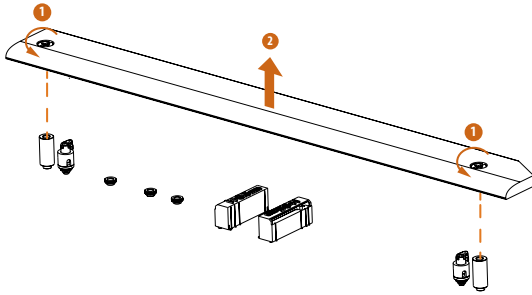
Prepare a M.2 SSD.



#### Step 2

Depending on the PCB type and length of your M.2 SSD, find the corresponding nut location to be used.

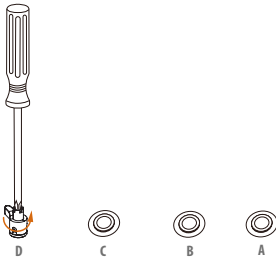
No.	1	2	3	4
Nut Location	A	B	C	D
PCB Length	3cm	4.2cm	6cm	8cm
Module Type	Type 2230	Type 2242	Type 2260	Type 2280



**Step 3**

Before installing a M.2 SSD, please loosen the screws to remove the M.2 heatsink.

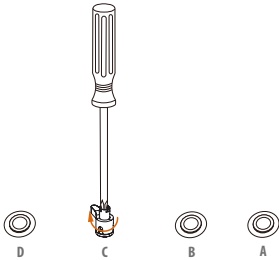
\*Please remove the protective films on the bottom side of the M.2 heatsink before you install a M.2 SSD.



**Step 4**

Use a screwdriver to remove the standoff.

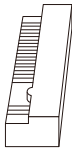
*Skip Step 4 if your M.2 SSD is Type 2280.*

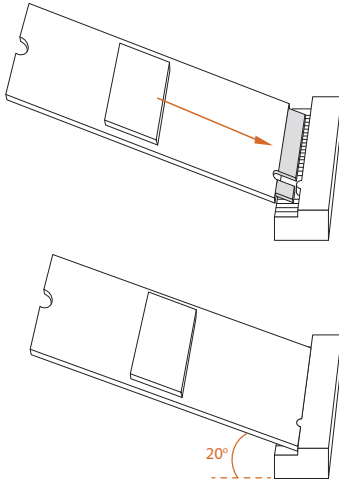


**Step 5**

Peel off the yellow protective film on the nut to be used. Tighten the standoff into the desired nut location on the motherboard with a screwdriver.

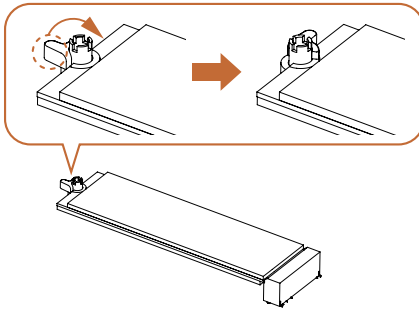
*Skip Step 5 if your M.2 SSD is Type 2280.*





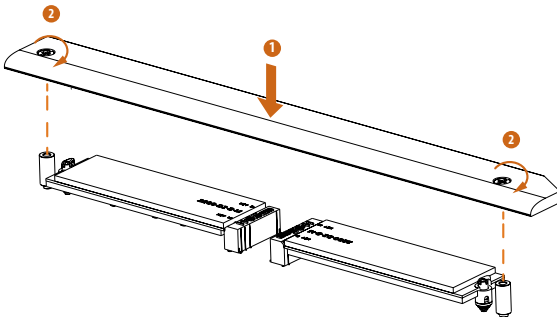
### Step 6

Align and gently insert the M.2 SSD into the M.2 slot. Please be aware that the M.2 SSD only fits in one orientation.



### Step 7

Ensure that the notch at the end of the M.2 SSD aligns with the nut. Then secure the M.2 SSD by turning the nut lock clockwise to its locked position.



### Step 8

Tighten the screws with a screwdriver to secure the M.2 heatsink into place. Please do not overtighten the screw as this might damage the M.2 SSD and M.2 heatsink.

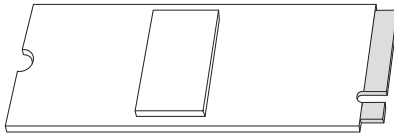
For the latest updates of M.2 SSD support list, please visit our website for details: <http://www.asrock.com>

## 2.20 M.2 SSD Installation Guide (M2\_4)

The M.2 is a small size and versatile card edge connector that aims to replace mPCIe and mSATA. The Ultra M.2 Socket (M2\_4, Key M) supports type 2280 PCIe Gen3x4 (32 Gb/s) mode.

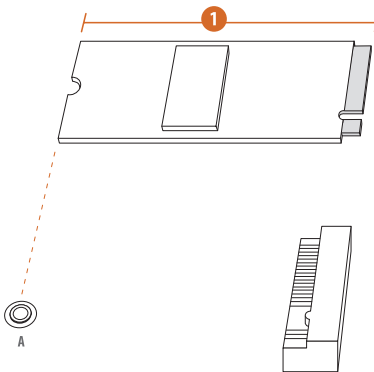
\* If SATA3\_1 or SATA3\_2 is occupied, M2\_4 will downgrade to Gen3x2 mode.

### Installing the M.2 SSD



#### Step 1

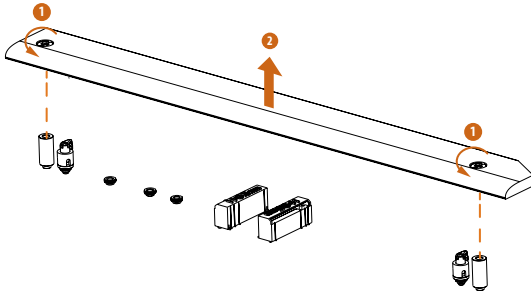
Prepare a M.2 SSD.



#### Step 2

Depending on the PCB type and length of your M.2 SSD, find the corresponding nut location to be used.

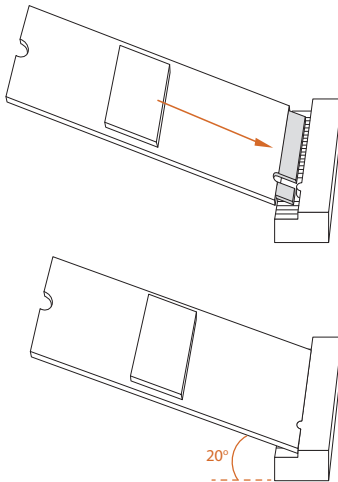
No.	1
Nut Location	A
PCB Length	8cm
Module Type	Type 2280



### Step 3

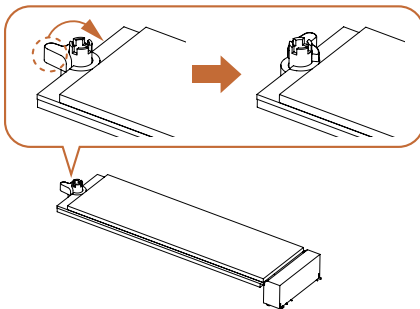
Before installing a M.2 SSD, please loosen the screws to remove the M.2 heatsink.

\*Please remove the protective films on the bottom side of the M.2 heatsink before you install a M.2 SSD.



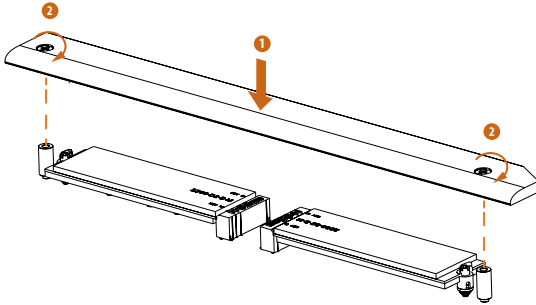
### Step 4

Align and gently insert the M.2 SSD into the M.2 slot. Please be aware that the M.2 SSD only fits in one orientation.



### Step 5

Ensure that the notch at the end of the M.2 SSD aligns with the nut. Then secure the M.2 SSD by turning the nut lock clockwise to its locked position.



**Step 6**

Tighten the screws with a screwdriver to secure the M.2 heatsink into place. Please do not overtighten the screw as this might damage the M.2 SSD and M.2 heatsink.

For the latest updates of M.2 SSD support list, please visit our website for details: <http://www.asrock.com>

Version 1.0

Published November 2024

Copyright©2024 ASRock INC. All rights reserved.

### Copyright Notice:

No part of this documentation may be reproduced, transcribed, transmitted, or translated in any language, in any form or by any means, except duplication of documentation by the purchaser for backup purpose, without written consent of ASRock Inc.

Products and corporate names appearing in this documentation may or may not be registered trademarks or copyrights of their respective companies, and are used only for identification or explanation and to the owners' benefit, without intent to infringe.

### Disclaimer:

Specifications and information contained in this documentation are furnished for informational use only and subject to change without notice, and should not be constructed as a commitment by ASRock. ASRock assumes no responsibility for any errors or omissions that may appear in this documentation.

To the extent permitted by law, with respect to the contents of this documentation, ASRock does not provide warranty of any kind, either expressed or implied, including but not limited to the implied warranties or conditions of merchantability or fitness for a particular purpose. In no event shall ASRock, its directors, officers, employees, or agents be liable for any indirect, special, incidental, or consequential damages (including damages for loss of profits, loss of business, loss of data, interruption of business and the like), even if ASRock has been advised of the possibility of such damages arising from any defect or error in the documentation or product.



## FCC Compliance Statement



This device complies with Part 15 of the FCC Rules. Operation is subject to the following two conditions:

- (1) this device may not cause harmful interference, and
- (2) this device must accept any interference received, including interference that may cause undesired operation.

This equipment has been tested and found to comply with the limits for a Class B digital device, pursuant to part 15 of the FCC Rules. These limits are designed to provide reasonable protection against harmful interference in a residential installation. This equipment generates, uses and can radiate radio frequency energy and, if not installed and used in accordance with the instructions, may cause harmful interference to radio communications. However, there is no guarantee that interference will not occur in a particular installation. If this equipment does cause harmful interference to radio or television reception, which can be determined by turning the equipment off and on, the user is encouraged to try to correct the interference by one or more of the following measures:

- Reorient or relocate the receiving antenna.
- Increase the separation between the equipment and receiver.
- Connect the equipment into an outlet on a circuit different from that to which the receiver is connected.
- Consult the dealer or an experienced radio/TV technician for help.

## Button Battery Safety Notice

### **WARNING**

- **INGESTION HAZARD:** This product contains a button cell or coin battery.
- **DEATH** or serious injury can occur if ingested.
- A swallowed button cell or coin battery can cause **Internal Chemical Burns** in as little as **2 hours**.
- **KEEP** new and used batteries **OUT OF REACH** of **CHILDREN**
- **Seek immediate medical attention** if a battery is suspected to be swallowed or inserted inside any part of the body.



- Remove and immediately recycle or dispose of used batteries according to local regulations and keep away from children. Do NOT dispose of batteries in household trash or incinerate.
- Even used batteries may cause severe injury or death.
- Call a local poison control center for treatment information.
- Battery type: CR2032
- Battery voltage: 3V
- Non-rechargeable batteries are not to be recharged.
- Do not force discharge, recharge, disassemble, heat above (manufacturer's specified temperature rating) or incinerate. Doing so may result in injury due to venting, leakage or explosion resulting in chemical burns.
- This product contains an irreplaceable battery.
- This icon indicates that a swallowed button battery can cause serious injury or death. Please keep batteries out of sight or reach of children.

## CALIFORNIA, USA ONLY

The Lithium battery adopted on this motherboard contains Perchlorate, a toxic substance controlled in Perchlorate Best Management Practices (BMP) regulations passed by the California Legislature. When you discard the Lithium battery in California, USA, please follow the related regulations in advance.

“Perchlorate Material-special handling may apply, see [www.dtsc.ca.gov/hazardouswaste/perchlorate](http://www.dtsc.ca.gov/hazardouswaste/perchlorate)”

## CALIFORNIA, USA ONLY



WARNING: Cancer and Reproductive Harm  
[www.P65Warnings.ca.gov](http://www.P65Warnings.ca.gov)

## CE Conformity



ASRock INC. hereby declares that this device is in compliance with the essential requirements and other relevant provisions of related Directives. Full text of EU declaration of conformity is available at: <http://www.asrock.com>

ASRock follows the green design concept to design and manufacture our products, and makes sure that each stage of the product life cycle of ASRock product is in line with global environmental regulations. In addition, ASRock disclose the relevant information based on regulation requirements.

Please refer to <https://www.asrock.com/general/about.asp?cat=Responsibility> for information disclosure based on regulation requirements ASRock is complied with.

## UKCA Conformity



ASRock INC. hereby declares that this device is in compliance with the essential requirements and other relevant provisions of related UKCA Directives. Full text of UKCA declaration of conformity is available at: <http://www.asrock.com>

## Consumer Limited Warranty - Australia

Our goods come with guarantees that cannot be excluded under the Australian Consumer Law. You are entitled to a replacement or refund for a major failure and compensation for any other reasonably foreseeable loss or damage caused by our goods. You are also entitled to have the goods repaired or replaced if the goods fail to be of acceptable quality and the failure does not amount to a major failure. If you require assistance please call ASRock Tel : +886-2-28965588 ext.123 (Standard International call charges apply)



### WARNING

THIS PRODUCT CONTAINS A BUTTOON BATTERY

If swallowed, a button battery can cause serious injury or death.  
Please keep batteries out of sight or reach of children.

## Proper Disposal



DO NOT throw the motherboard in municipal waste. This product has been designed to enable proper reuse of parts and recycling. This symbol of the crossed out wheeled bin indicates that the product (electrical and electronic equipment) should not be placed in municipal waste. Check local regulations for disposal of electronic products.

## Class B ITE

この装置は、クラス B 情報技術装置です。この装置は、家庭環境で使用することを目的としていますが、この装置がラジオやテレビジョン受信機に近接して使用されると、受信障害を引き起こすことがあります。取扱説明書に従って正しい取り扱いをして下さい。

## Trademark Information

The terms HDMI® and HDMI High-Definition Multimedia Interface, and the HDMI logo are trademarks or registered trademarks of HDMI Licensing LLC in the United States and other countries.



## European Community Radio Equipment Directive Compliance Statement

This device complies with directive 2014/53/EU issued by the Commission of the European Community. This equipment complies with EU radiation exposure limits set forth for an uncontrolled environment.

This equipment should be installed and operated with minimum distance 20cm between the radiator & your body.

Operations in the 5.15-5.25/6GHz band are restricted to indoor usage only.

	AT	BE	BG	CH	CY	CZ	DE
	DK	EE	EL	ES	FI	FR	HR
	HU	IE	IS	IT	LI	LT	LU
	LV	MT	NL	NO	PL	PT	RO
	SE	SI	SK	TR			



### Radio Frequency Bands and Maximum Power Levels

- Features : Wi-Fi 6E, BT, Wi-Fi 7
- Frequency Range : 2.4 GHz: 2400-2485MHz; 5 GHz: 5150-5350MHz, 5470-5725MHz, 5725-5850MHz; 6 GHz: 5955-6415MHz
- Max Power Level : 2.4 GHz: 20dBm; 5 GHz: 23dBm; 6 GHz: 23dBm

### Compliance Statement of Innovation, Science and Economic Development Canada (ISED)

This device complies with with Innovation, Science and Economic Development Canada's licence-exempt RSS(s). Operation is subject to the following two conditions: (1) this device may not cause interference, and (2) this device must accept any interference, including interference that may cause undesired operation of the device. Operation in the band 5150-5250 MHz is only for indoor use to reduce the potential for harmful interference to co-channel mobile satellite systems. CAN ICES-003(B)/NMB-003(B)

### NCC 無線設備警告聲明

經型式認證合格之低功率射頻電機，非經許可，公司、商號或使用者均不得擅自變更頻率、加大功率或變更原設計之特性及功能。低功率射頻電機之使用不得影響飛航安全及干擾合法通信；經發現有干擾現象時，應立即停用，並改善至無干擾時方得繼續使用。前項合法通信，指依電信法規定作業之無線電通信。低功率射頻電機須忍受合法通信或工業、科學及醫療用電波輻射性電機設備之干擾。

**ASRock Incorporation**

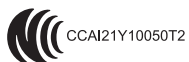
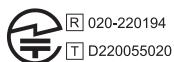
**Contains Wi-Fi 6E module with Bluetooth**

**AMD® Wi-Fi 6E RZ616**

**Model: MT7922A22M**

FCC ID: RAS-MT7922A22M

IC: 7542A-MT7922A22M



5.15~5.35/6GHz indoor use only

## BSMI 限用物質及元素清單

單元	限用物質及其化學符號					
	鉛 (Pb)	鎘 (Cd)	汞 (Hg)	六價鉻 (Cr <sup>+6</sup> )	多溴聯苯 (PBB)	多溴聯苯醚 (PBDE)
電路板	○	○	○	○	○	○
電子元件	-	○	○	○	○	○
線材	-	○	○	○	○	○
配件	-	○	○	○	○	○
<p>備考 1. “超出 0.1 wt %” 及 “超出 0.01 wt %” 係指限用物質之百分比含量超出百分比含量基準值。</p> <p>備考 2. “○” 係指該項限用物質之百分比含量未超出百分比含量基準值。</p> <p>備考 3. “-” 係指該項限用物質為排除項目。</p>						

## China RoHS

### 电子信息产品污染控制标示

依据中国发布的「电子信息产品污染控制管理办法」及 SJ/T 11364-2006 「电子信息产品污染控制标示要求」，电子信息产品应进行标示，藉以向消费者揭露产品中含有的有毒有害物质或元素不致发生外泄或突变从而对环境造成污染或对人身、财产造成严重损害的期限。依上述规定，您可于本产品之印刷电路板上看见图一之标示。图一中之数字为产品之环保使用期限。由此可知此主板之环保使用期限为 10 年。



图一

### 有毒有害物质或元素的名称及含量说明

若您欲了解此产品的有毒有害物质或元素的名称及含量说明，请参照以下表格及说明。

部件名称	有害物质或元素					
	铅 (Pb)	镉 (Cd)	汞 (Hg)	六价铬 (Cr(VI))	多溴联苯 (PBB)	多溴二苯醚 (PBDE)
印刷电路板及电子组件	X	O	O	O	O	O
外部信号连接头及线材	X	O	O	O	O	O

以上表格依据 SJ/T 11364-2014 的规定编制。

**O:** 表示该有害物质在该部件所有均质材料中的含量均在 GB/T 26572 规定的限量要求以下。

**X:** 表示该有害物质至少在该部件的某一均质材料中的含量超出 GB/T 26572 规定的限量要求。

备注：此产品所标示之环保使用年限，系指在一般正常使用状况下。